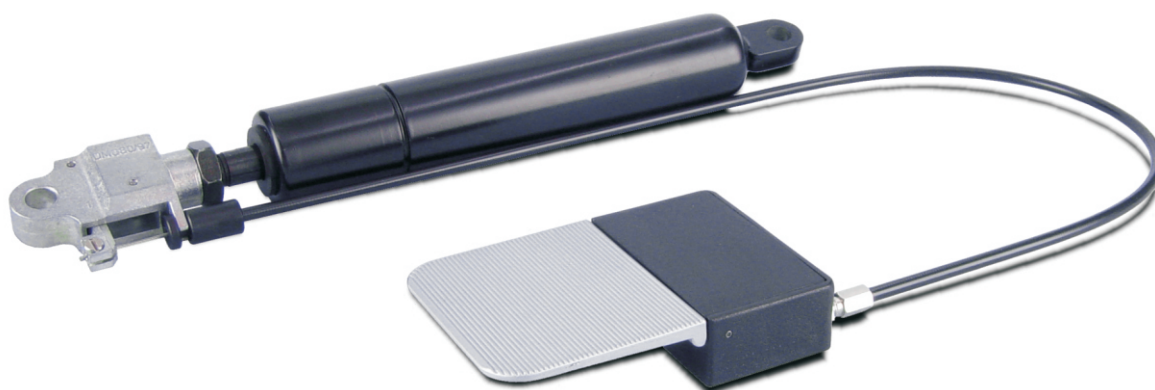




We put gas springs
in movement



Easy Release Modular System

ERMS



Felix-Wankel-Strasse 8-10
D - 74915 Waibstadt
Germany

E-mail
Internet
Phone
Fax

info@awp-gmbh.com
www.awp-gmbh.com
+49 (0) 7263 40971-0
+49 (0) 7263 40971-29

INDEX

Introduction	page 3
Product characteristics	page 4
Forces compared standard to AWP	page 5
Combination possibilities	page 6
Ultra-light-release heads parallel to gas spring	page 13
Light-release heads parallel to gas spring	page 20
Light-release heads 90 degrees to gas spring	page 27
Built-in pushbuttons	page 35
Special pushbuttons	page 73
External pushbuttons	page 76
Flat pushbuttons	page 83
Remote release pusbuttons	page 85
Key blocks	page 89
Bowden cable splitter	page 93
Operating levers	page 101
Accessories	page 104
Colour tables / Ordering form	page 111

INTRODUCTION

Our company is the first enterprise in the world to succeed in developing light and fine release heads for blockable gas springs, which mechanically reduce the required valve lifter release force of the gas spring up to 97 %. The range of application for blockable gas springs has considerably been extended by this feature. Instead of plump lever mechanics a small key element may be used for many applications to release the gas spring. The frictional forces in the bowden wires also have been reduced substantially, thus prolonging their durability.

The light and fine release allows a unique gas spring regulation by lowest efforts. Expensive constructions and large operation elements belong to the past. By miniaturization of the operating elements new design options are available which allow sophisticated designs.

The gas spring's piston speed is freely adjustable and thus allows a maximum of flexibility. Due to the precise adjustment possibilities of the gas spring piston an optimum adaptation of the elements controlled by the gas spring is achieved.

The system is robust and compact with small dimensions and low weight.

The installation is easy and no tools are required. The light and fine release head is merely screwed onto the thread. Thick, cost-intensive bowden wires can be replaced by fine and flexible bowden wires. The light and fine release head is maintenance-free and easy to handle.

Thus it may be applied flexibly, universally and without problems and improves quality and comfort of the end product. Material input and mounting time are also reduced. Due to our light and fine release head with three connections it is possible to control one single gas spring by two or three operating elements.

On the following pages we present our widespread range of products. We are sure that you will find the appropriate light and fine release head and the corresponding key element for your application among them.

PRODUCT CHARACTERISTICS

General Informations:

- valve lifter release force of gas spring reduced up to 97 %
- continuously adjustable speed control of the gas spring piston
- maintenance-free system
- low weight
- compact, small installation size
- free positioning
- easy, quick installation
- only small operating elements required
- great number of combinations of operating elements with gas spring
- demanding and attractive design possibilities
- standard steel, stainless steel or plastic bowden wires may be used
- Applicable to standard gas springs

Fields of Applications:

- | | | | |
|------------------|----------------------|---------------------|-----------------------|
| ● hospital beds | ● gynaecology chairs | ● lifting chairs | ● bus seats |
| ● care beds | ● delivery chairs | ● television chairs | ● train seats |
| ● standard beds | ● massage couch | ● executive chairs | ● airplane seats |
| ● foldaway beds | ● rest couch | ● rest chairs | ● cinema seats |
| ● slatted frames | ● treatment couch | ● patient lifters | ● concert chairs |
| ● wheelchairs | ● working tables | ● toilet lifters | ● theatre chairs |
| ● care chairs | ● office tables | ● fitness units | ● waiting room chairs |
| ● therapy chairs | ● surgery tables | ● sports units | ● passenger seats |
| ● office chairs | ● handicapped tables | ● car seats | ● etc. |

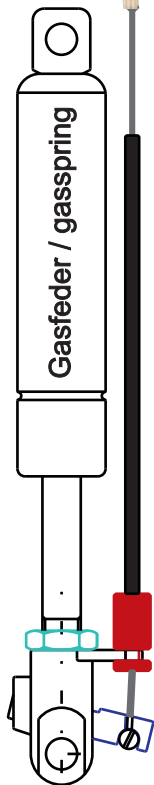
Operating Elements:

- built-in pushbuttons
- external pushbuttons
- remote release systems
- flat pushbuttons
- key blocks
- operation levers

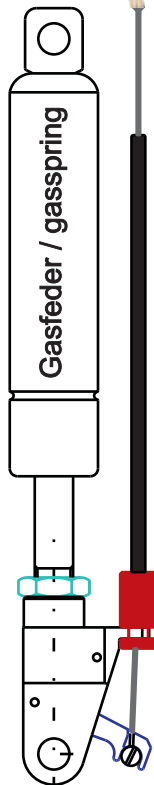
Applications:

- new constructions
- replacement of old systems

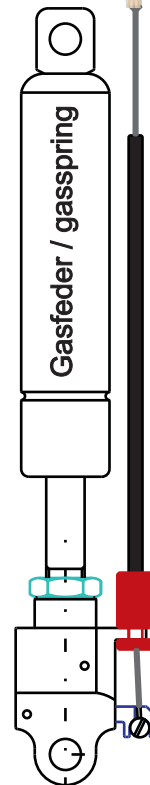
FORCES COMPARISON WITH 300 N GAS SPRING



Standard



LA-ST

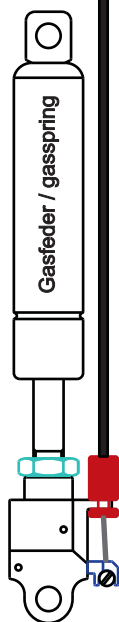


ULA-ST

FORCES COMPARED

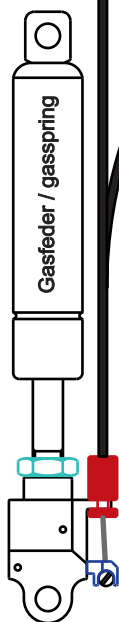
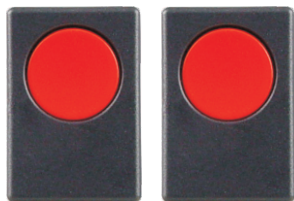
COMBINATION POSSIBILITIES PUSHBUTTONS - RELEASE HEADS

1 pushbutton
1 gas spring



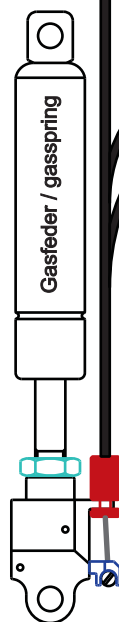
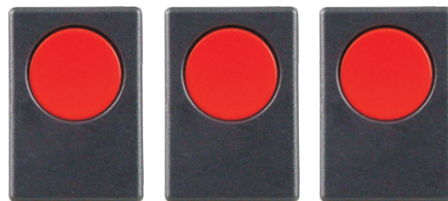
release head
LA-ST
ULA-ST

2 pushbuttons
1 gas springs



release head
LA-SOHE-3A
ULA-SOHE-3A

3 pushbuttons
1 gas spring

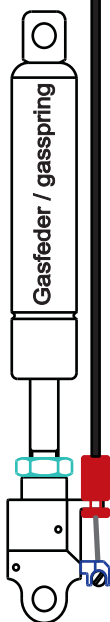


release head
LA-SOHE-3A
ULA-SOHE-3A

COMBINATION POSSIBILITIES

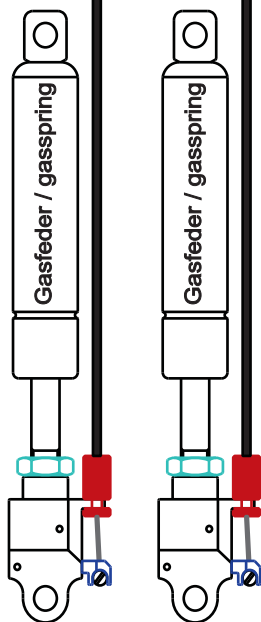
COMBINATION POSSIBILITIES PUSHBUTTONS - RELEASE HEADS

1 pushbutton
1 gas spring



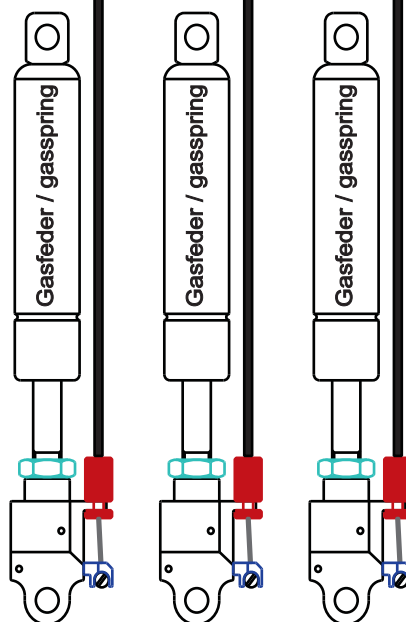
release head
ULA-ST
LA-90G
LA-ST

1 pushbutton
2 gas springs



release head
ULA-ST
LA-90G
LA-ST

1 pushbutton
3 gas springs



release head
ULA-ST
LA-90G
LA-ST

COMBINATION POSSIBILITIES

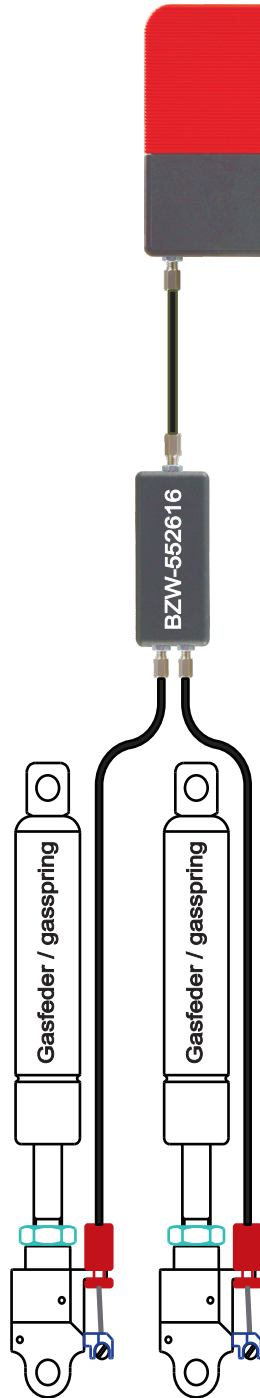
COMBINATION POSSIBILITIES PUSHBUTTONS - BOWDENCABLE SPLITTER - RELEASE HEADS

1 pushbutton
1 gas spring



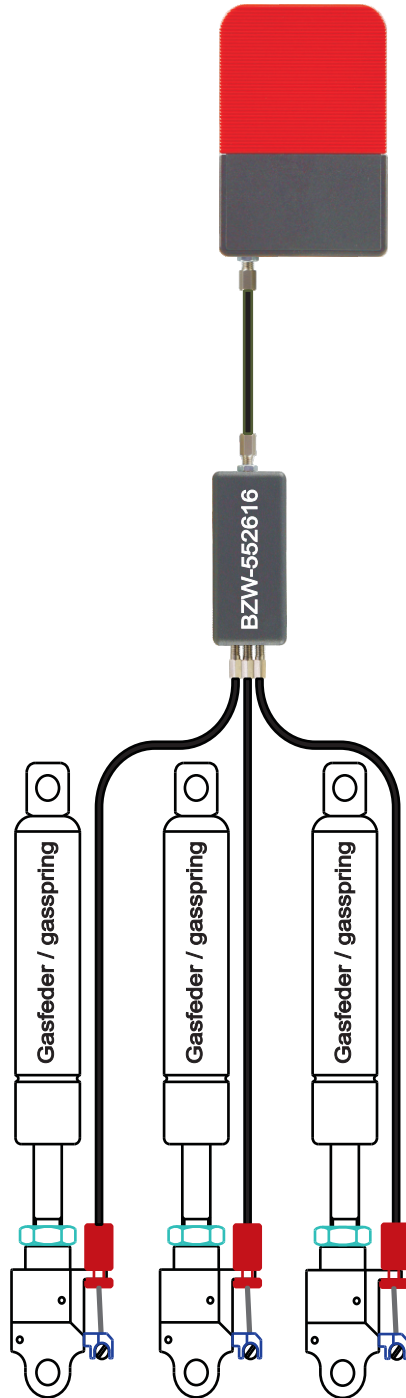
release head
ULA-ST
LA-90G
LA-ST

1 pushbutton
2 gas springs



release head
ULA-ST
LA-90G
LA-ST

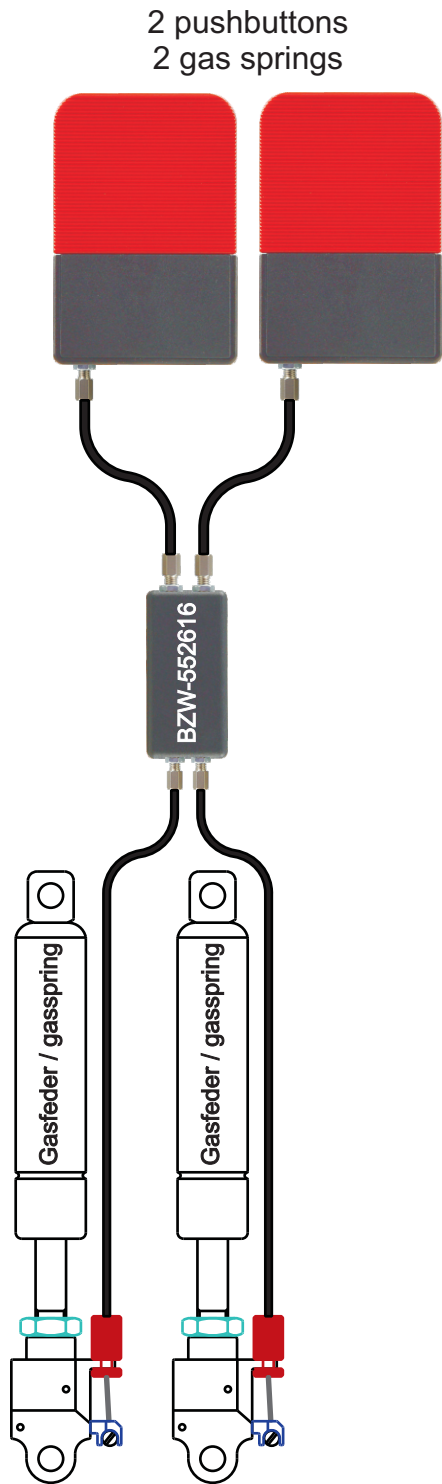
1 pushbutton
3 gas springs



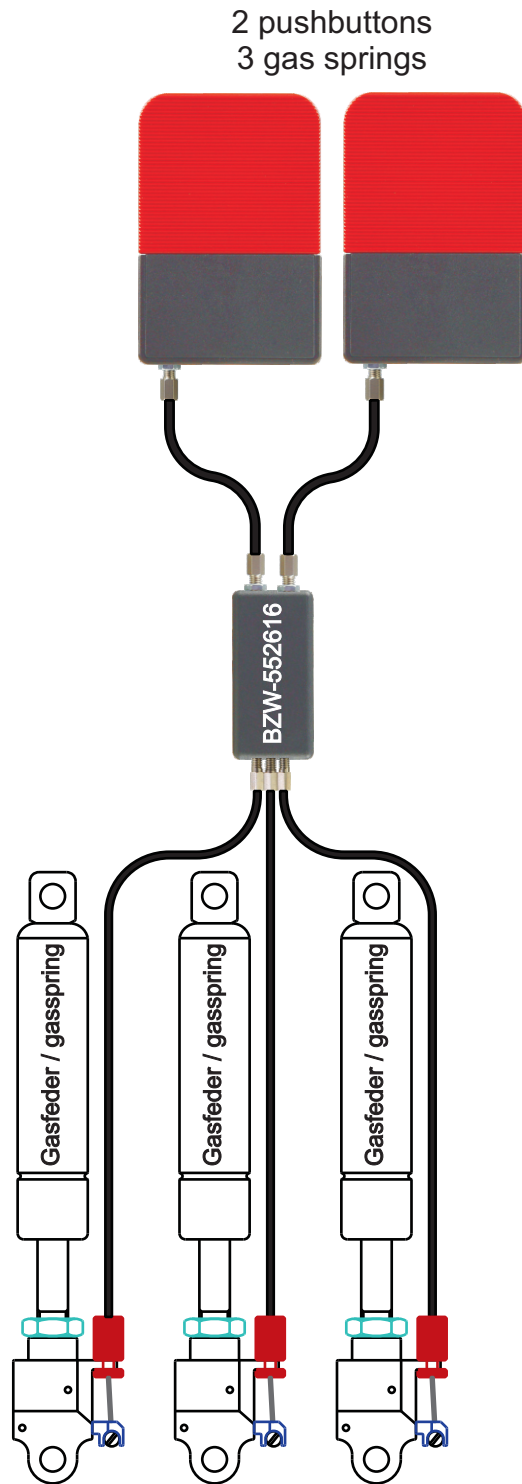
release head
ULA-ST
LA-90G
LA-ST

COMBINATION POSSIBILITIES

COMBINATION POSSIBILITIES PUSHBUTTONS - BOWDENCABLE SPLITTER - RELEASE HEADS



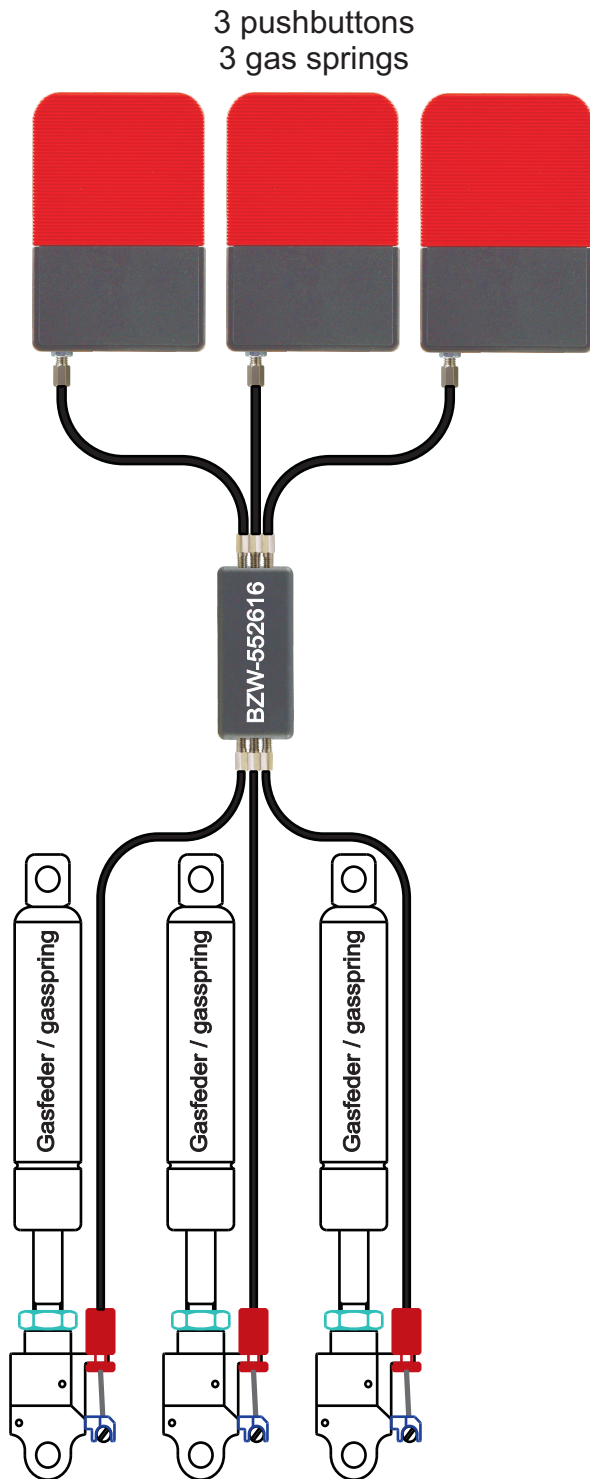
release head
ULA-ST
LA-90G
LA-ST



release head
ULA-ST
LA-90G
LA-ST

COMBINATION POSSIBILITIES

COMBINATION POSSIBILITIES PUSHBUTTONS - BOWDENCABLE SPLITTER - RELEASE HEADS



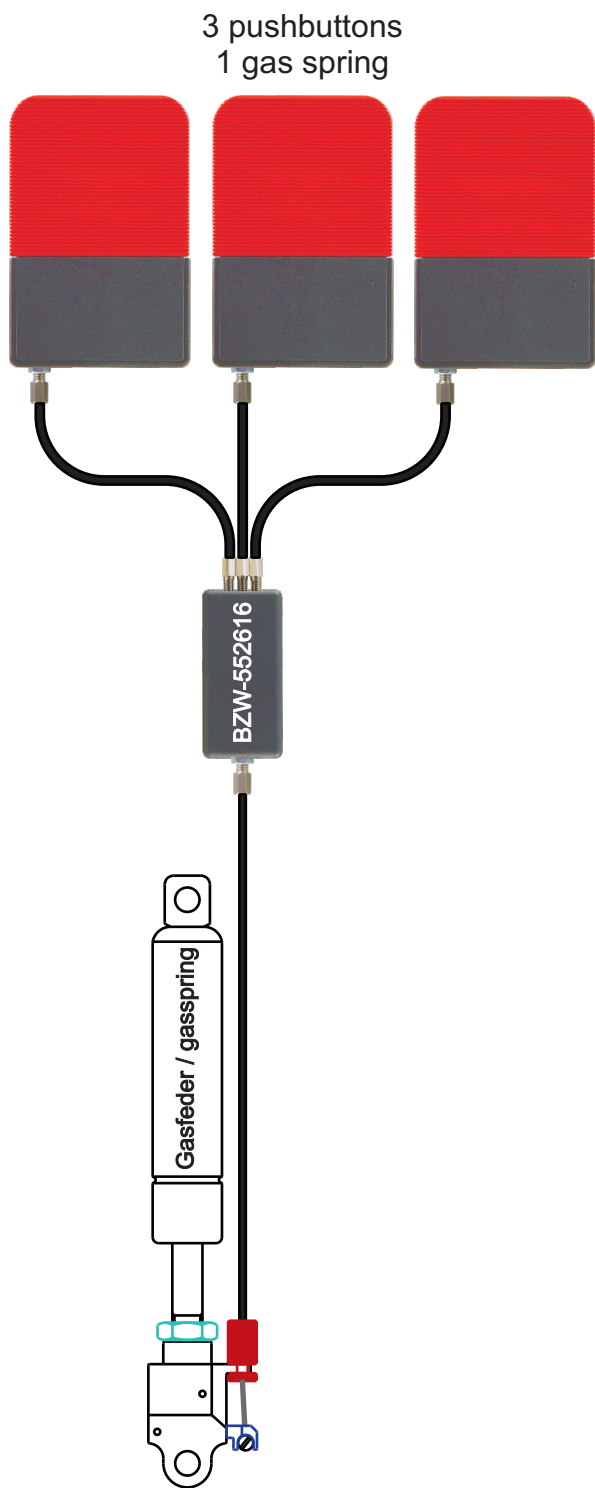
release head
ULA-ST
LA-90G
LA-ST



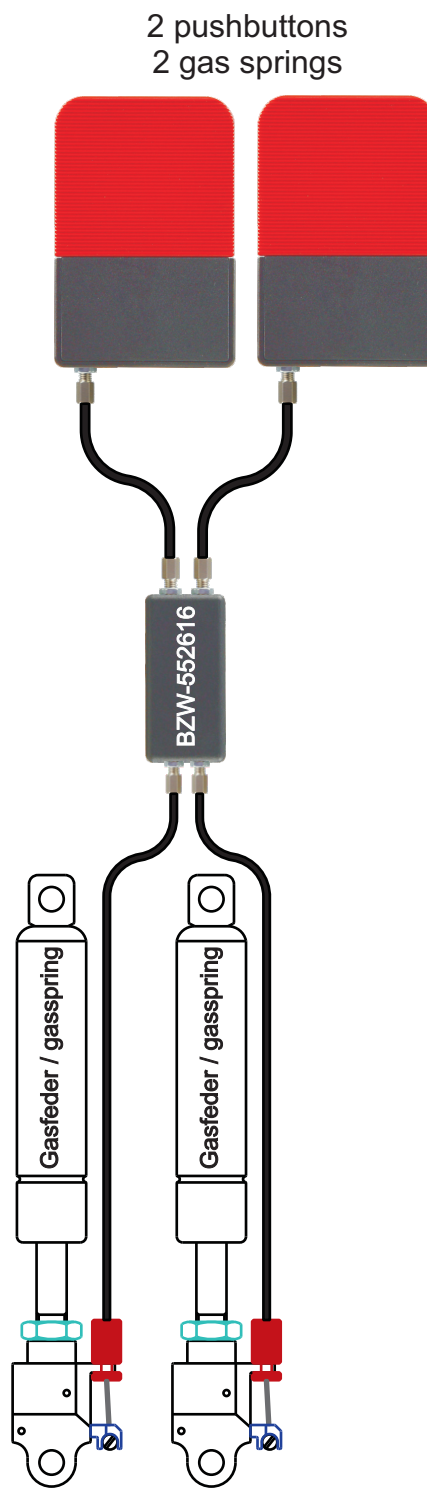
release head
ULA-ST
LA-90G
LA-ST

COMBINATION POSSIBILITIES

COMBINATION POSSIBILITIES PUSHBUTTONS - BOWDENCABLE SPLITTER - RELEASE HEADS

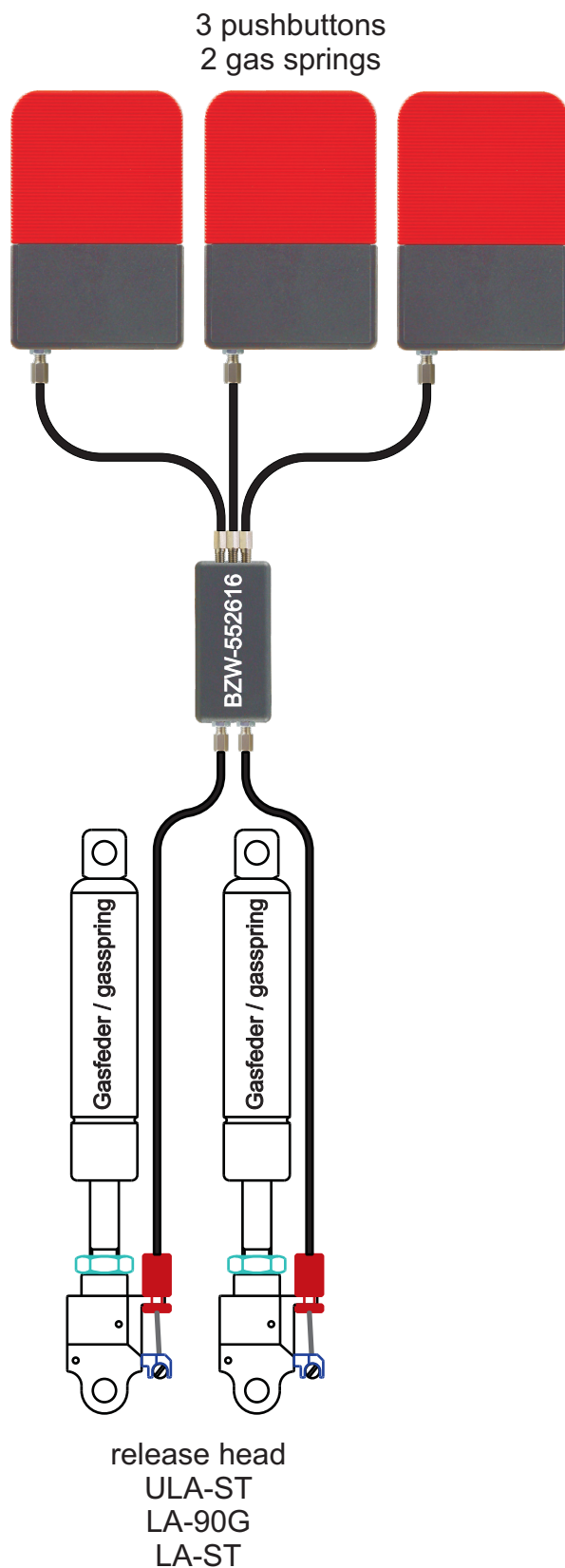


release head
ULA-ST
LA-90G
LA-ST



release head
ULA-ST
LA-90G
LA-ST

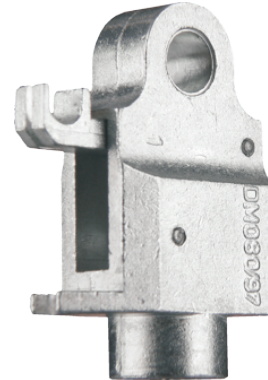
COMBINATION POSSIBILITIES PUSHBUTTONS - BOWDENCABLE SPLITTER - RELEASE HEADS



ULTRA-LIGHT RELEASE HEADS

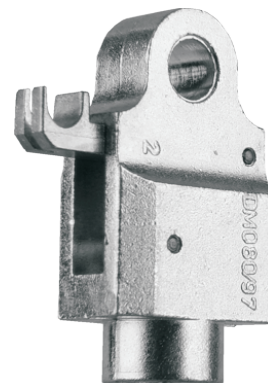
dimensions : [see page 15](#)
 material : zinc die-casting/steel
 reduction : 1:21
 max. force F1 of gas spring : 1000 N
 release power : about 1 % of F1 of the gas spring
 connectable bowden wire : 1
 valve lifter release gas spring : max. 1 mm
 total distance for actuation : about 15 mm
 thread of gas spring piston : M10x1 or M8x1
 speed regulation gas spring : very fine
 fields of application : blockable gas springs with short release whose release heads are operated by bowden wires

Order description: ULA-ST-M10x1
-M08x1



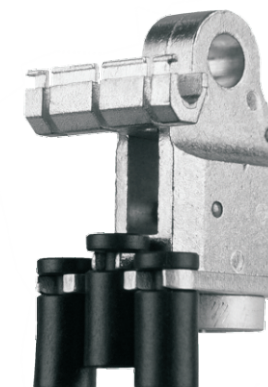
dimensions : [see page 16](#)
 material : zinc die-casting/steel
 reduction : 1:21
 max. force F1 of gas spring : 1000 N
 release power : about 1 % of F1 of the gas spring
 operating elements : 1
 valve lifter release gas spring : max. 1 mm
 total distance for actuation : about 15 mm
 thread of gas spring piston : M10x1 or M8x1
 speed regulation gas spring : very fine
 fields of application : blockable gas springs with short release whose release heads are operated by linkages or traction ropes

Order description: LA-DIREKT-M10x1
-M08x1



dimensions : [see page 17](#)
 material : zinc die-casting/steel
 reduction : 1:21
 max. force F1 of gas spring : 700 N
 release power : about 1 % of F1 of the gas spring
 connectable bowden wire : max. 3
 valve lifter release gas spring : max. 1 mm
 total distance for actuation : about 15 mm
 thread of gas spring piston : M10x1 or M8x1
 speed regulation gas spring : very fine
 fields of application : Blockable gas springs with short release whose release heads are operated by bowden wires. This release head allows to connect up to 3 operating elements.

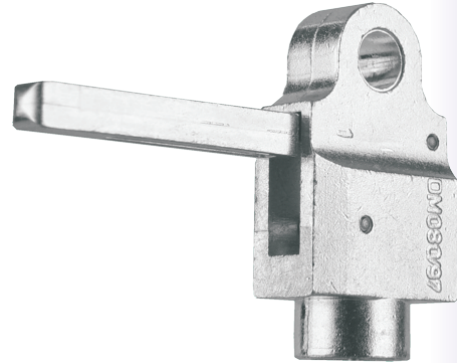
Order description: ULA-SOHE-3A-M10x1
-M08x1



ULTRA-LIGHT RELEASE HEADS

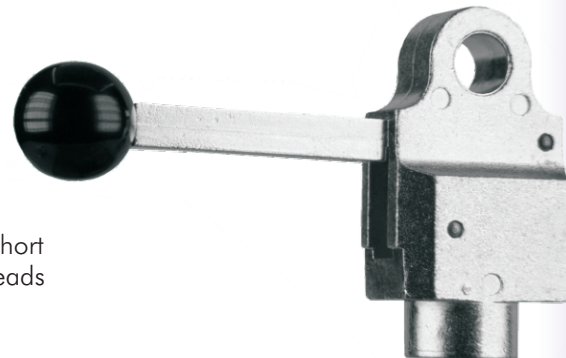
dimensions	: see page 18
material	: zinc die-casting/steel
reduction	: 1:48
max. force F1 of gas spring	: 1000 N
release power	: about 0,5 % of F1 of the gas spring
connectable bowden wire	: 1
valve lifter release gas spring	: max. 1 mm
total distance for actuation	: about 33 mm
thread of gas spring piston	: M10x1 or M8x1
speed regulation gas spring	: very fine
fields of application	: blockable gas springs with short release where the release heads are freely accessible

order description: ULA-SOHE67-M10x1
-M08x1



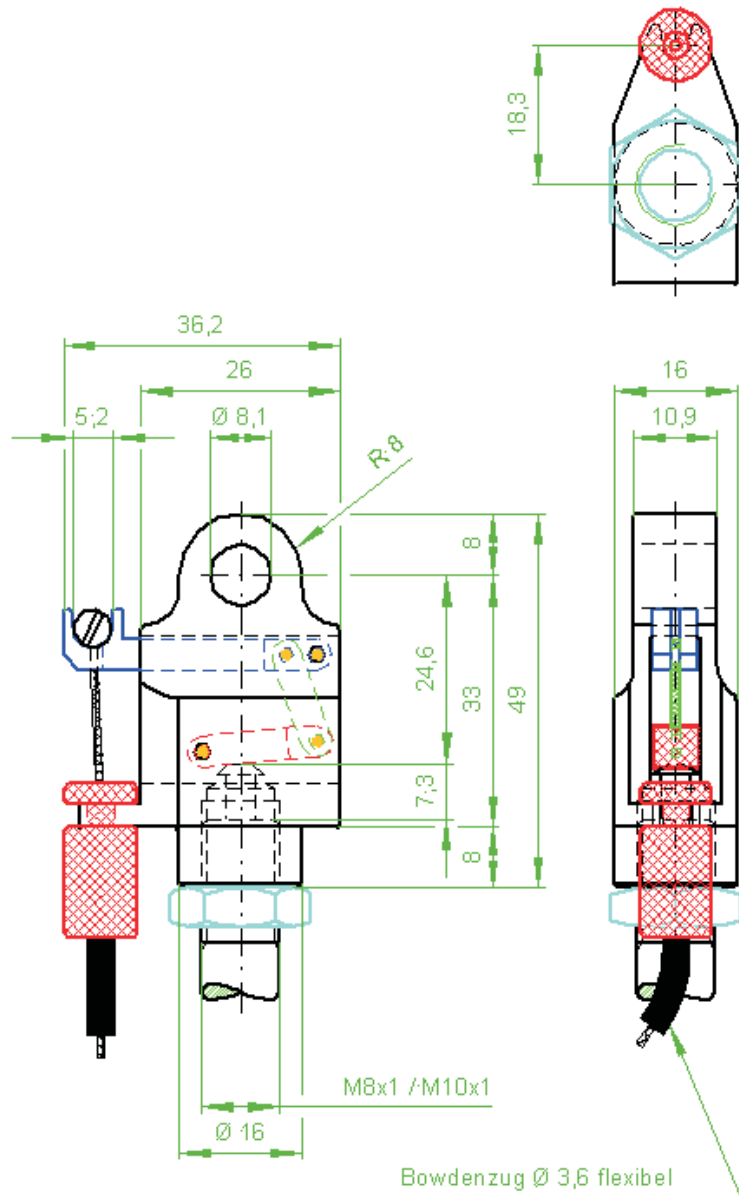
dimensions	: see page 19
material	: zinc die-casting/steel
reduction	: 1:48
max. force F1 of gas spring	: 1000 N
release power	: about 0,5 % of F1 of the gas spring
operating elements	: 1
valve lifter release gas spring	: max. 1 mm
total distance for actuation	: about 33 mm
thread of gas spring piston	: M10x1 or M8x1
speed regulation gas spring	: very fine
fields of application	: blockable gas springs with short release where the release heads are freely accessible

order description: ULA-SOHE67-KU-M10x1
-M08x1



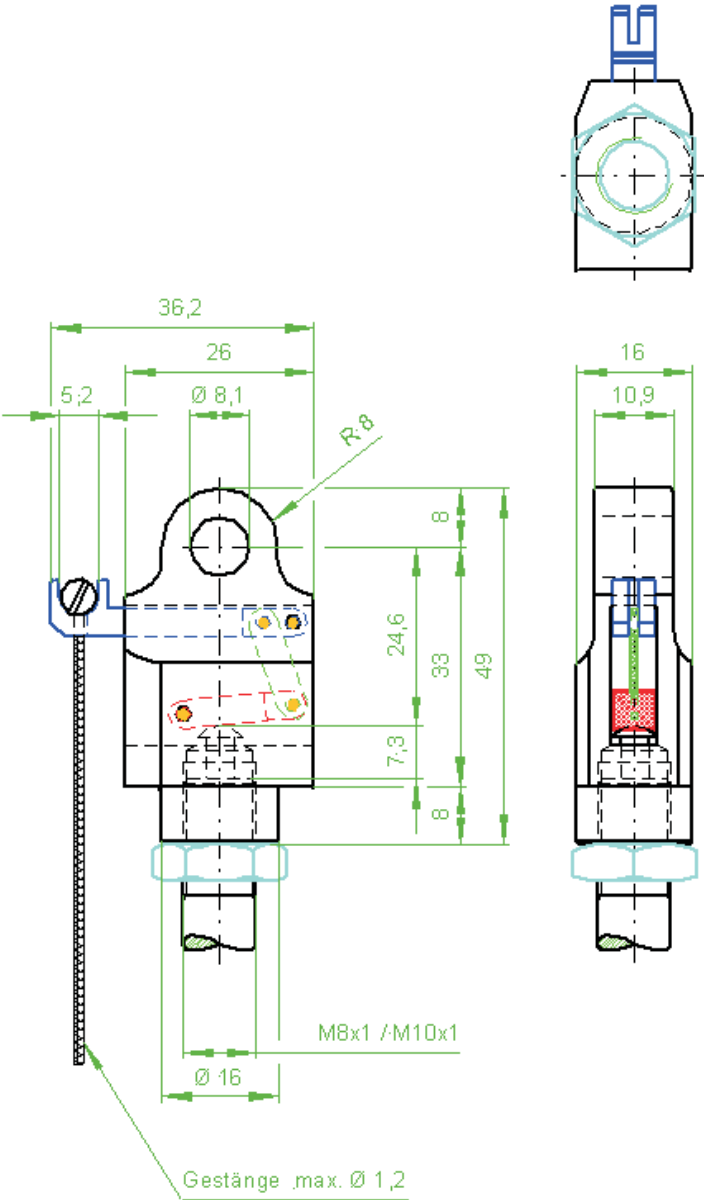
Accessories: [see page 104](#)

MOUNTING DIMENSIONS ULA-ST



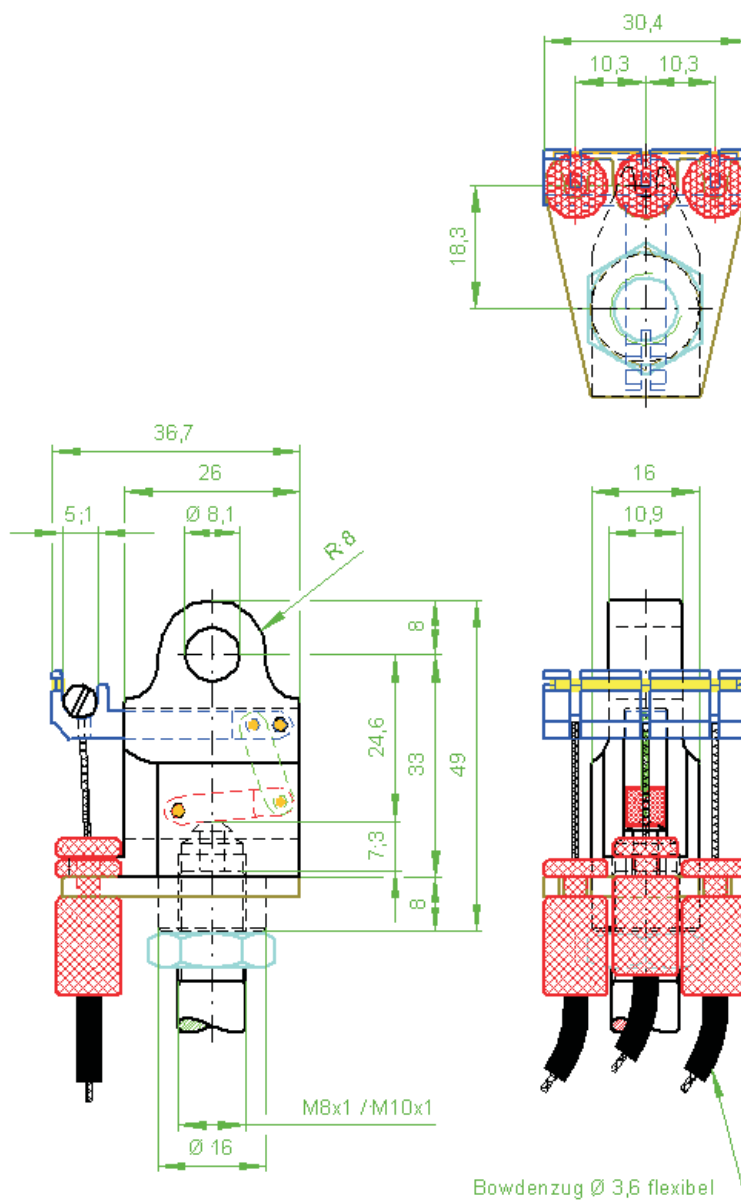
dimensions in mm / we reserve the right to make modifications

MOUNTING DIMENSIONS ULA-DIREKT



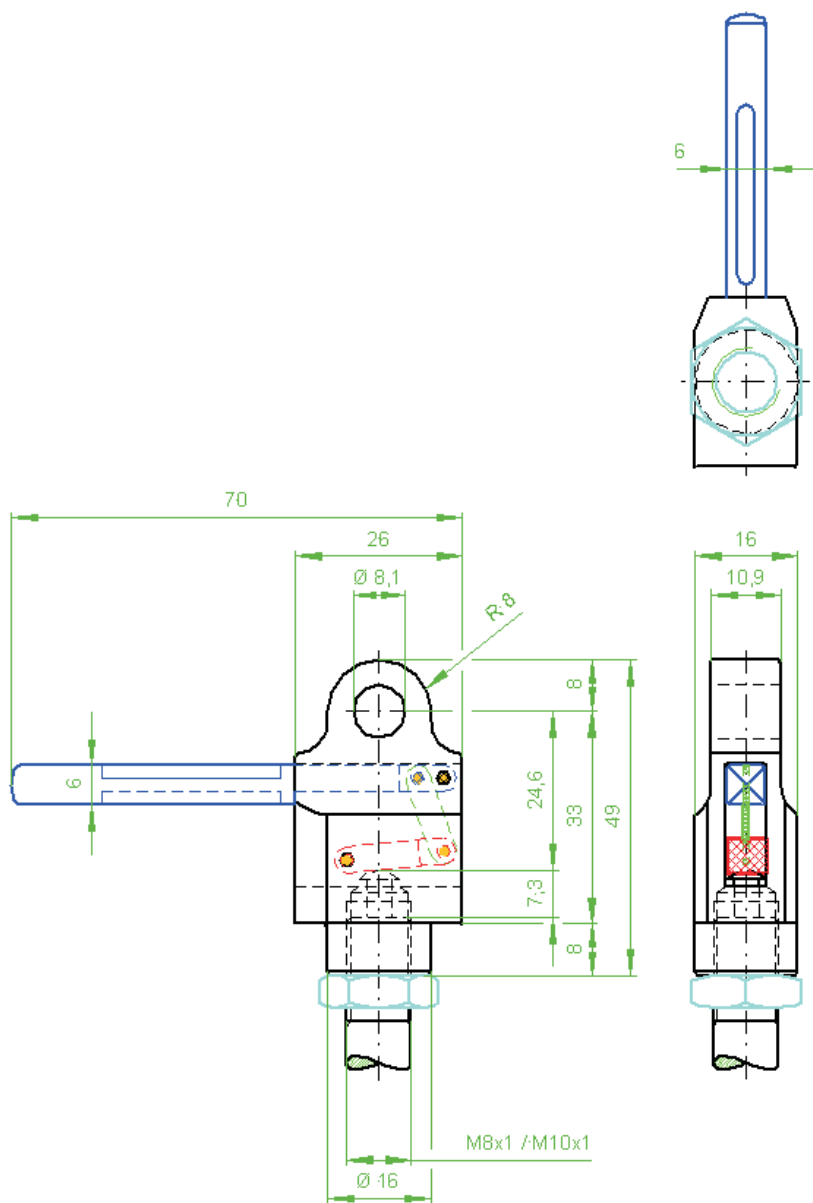
dimensions in mm / we reserve the right to make modifications

MOUNTING DIMENSIONS ULA-SOHE-3A



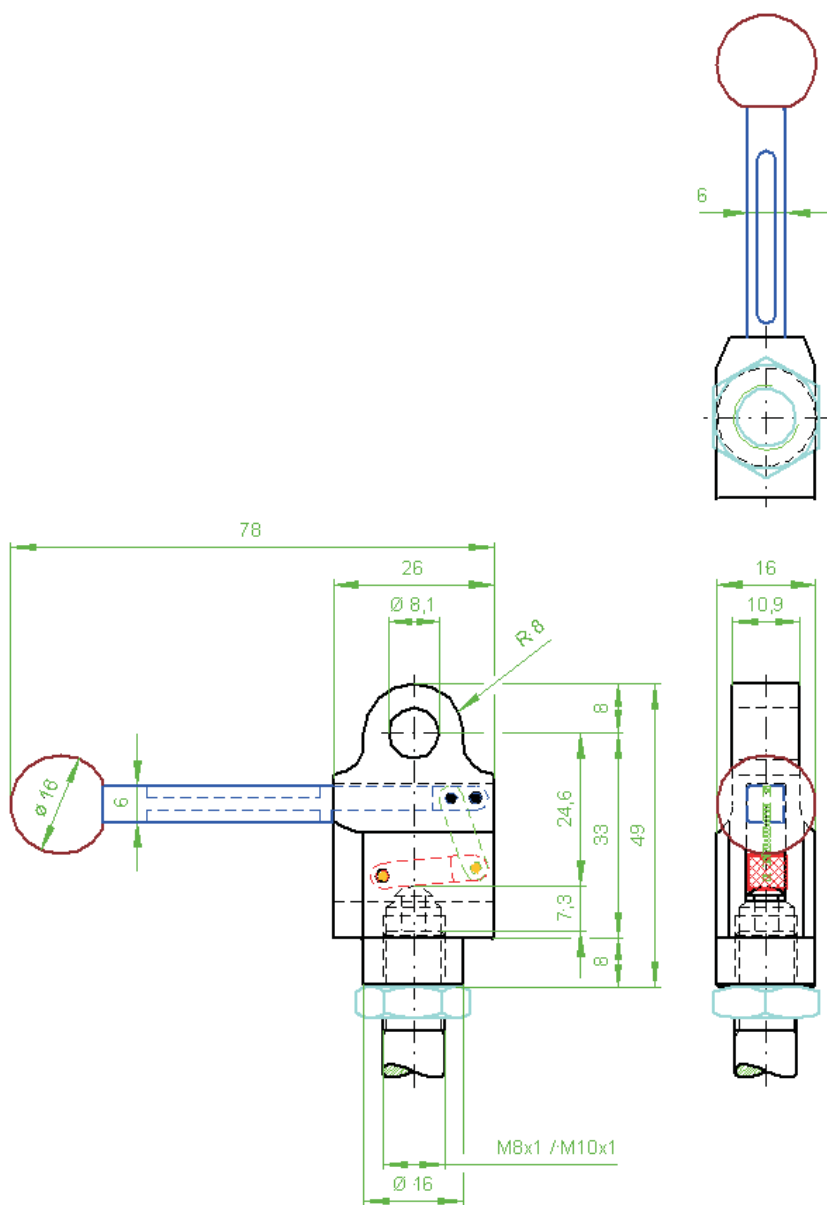
dimensions in mm / we reserve the right to make modifications

MOUNTING DIMENSIONS ULA-SOHE67



dimensions in mm / we reserve the right to make modifications

MOUNTING DIMENSIONS ULA-SOHE67-KU

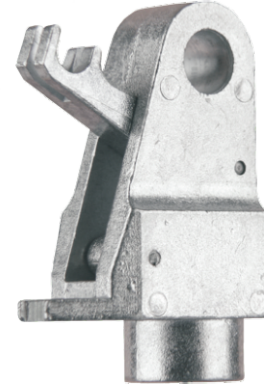


dimensions in mm / we reserve the right to make modifications

LIGHT RELEASE HEADS

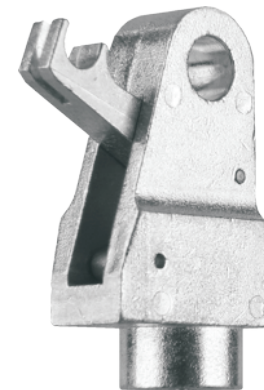
dimensions : [see page 22](#)
 material : zinc die-casting/steel
 reduction : 1:10
 max. force F1 of gas spring : 500 N
 release power : about 2 % of F1 of the gas spring
 connectable bowden wire : 1
 valve lifter release gas spring : max. 2,5 mm
 total distance for actuation : about 23 mm
 thread of gas spring piston : M10x1 or M8x1
 speed regulation gas spring : fine
 fields of application : blockable gas springs with short release whose release heads are operated by bowden wires

order description: LA-ST-M10x1
-M08x1



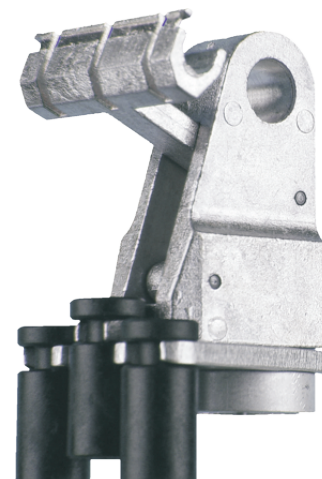
dimensions : [see page 23](#)
 material : zinc die-casting/steel
 reduction : 1:10
 max. force F1 of gas spring : 500 N
 release power : about 2 % of F1 of the gas spring
 operating elements : 1
 valve lifter release gas spring : max. 2,5 mm
 total distance for actuation : about 23 mm
 thread of gas spring piston : M10x1 or M8x1
 speed regulation gas spring : fine
 fields of application : blockable gas springs with short release whose release heads are operated by linkages or traction ropes

order description: LA-DIREKT-M10x1
-M08x1



dimensions : [see page 24](#)
 material : zinc die-casting/steel
 reduction : 1:10
 max. force F1 of gas spring : 400 N
 release power : about 2 % of F1 of the gas spring
 connectable bowden wire : max. 3
 valve lifter release gas spring : max. 2,5 mm
 total distance for actuation : about 23 mm
 thread of gas spring piston : M10x1 or M8x1
 speed regulation gas spring : fine
 fields of application : Blockable gas springs with short release whose release heads are operated by bowden wires. This release head allows to connect up to 3 operating elements.

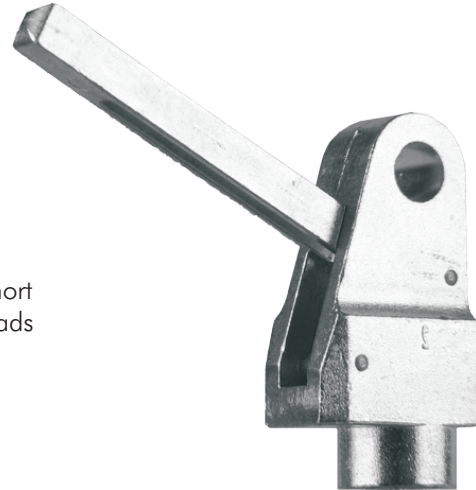
order description: LA-SOHE-3A-M10x1
-M08x1



LIGHT RELEASE HEADS

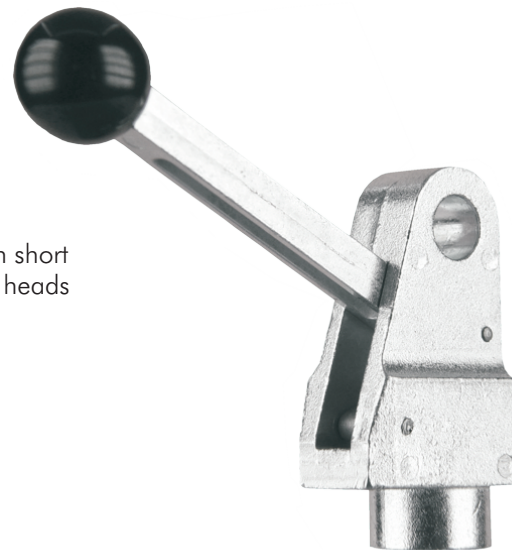
dimensions	: see page 25
material	: zinc die-casting/steel
reduction	: 1:20
max. force F1 of gas spring	: 600 N
release power	: about 1 % of F1 of the gas spring
connectable bowden wire	: 1
valve lifter release	
gas spring	: max. 2,5 mm
total distance for actuation	: about 48 mm
thread of gas spring piston	: M10x1 or M8x1
speed regulation gas spring	: very fine
fields of application	: blockable gas springs with short release where the release heads are freely accessible

order description: LA-SOHE67-M10x1
-M08x1



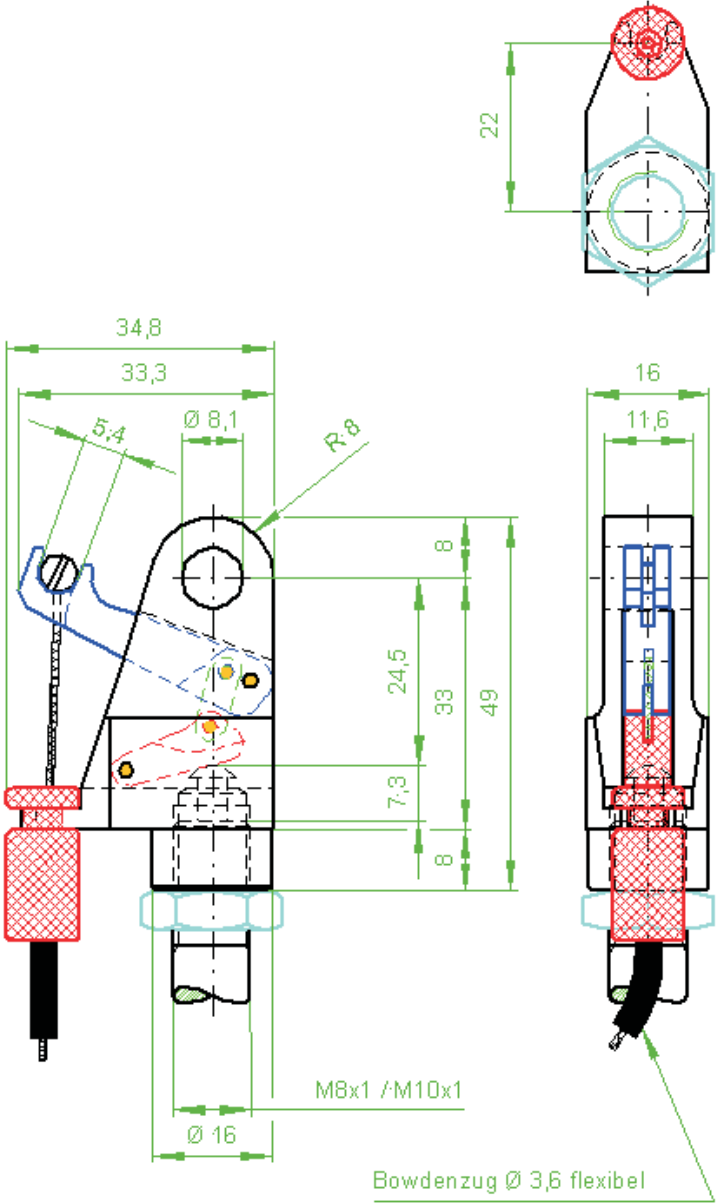
dimensions	: see page 26
material	: zinc die-casting/steel
reduction	: 1:20
max. force F1 of gas spring	: 600 N
release power	: about 1 % of F1 of the gas spring
valve lifter release gas spring	: max. 2,5 mm
total distance for actuation	: about 48 mm
thread of gas spring piston	: M10x1 or M8x1
speed regulation gas spring	: very fine
fields of application	: blockable gas springs with short release where the release heads are freely accessible

order description: LA-SOHE67-KU-M10x1
-M08x1



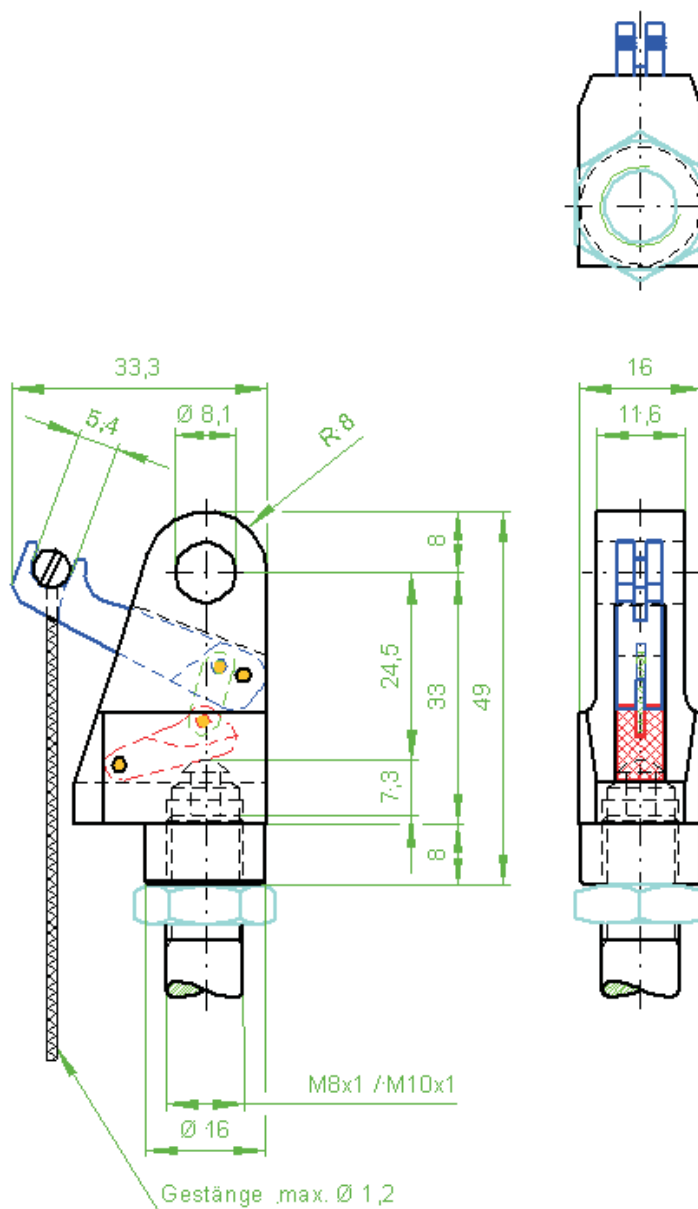
Accessories : [see page 104](#)

MOUNTING DIMENSIONS LA-ST



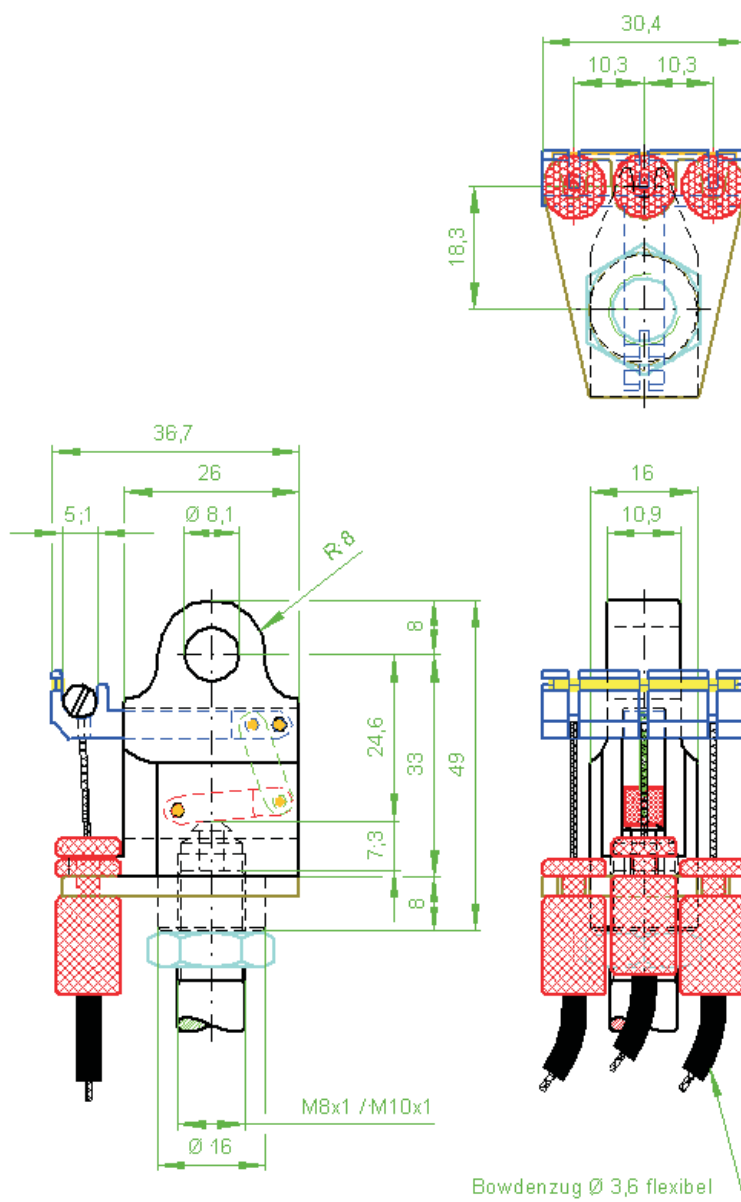
dimensions in mm / we reserve the right to make modifications

MOUNTING DIMENSIONS LA-DIREKT



dimensions in mm / we reserve the right to make modifications

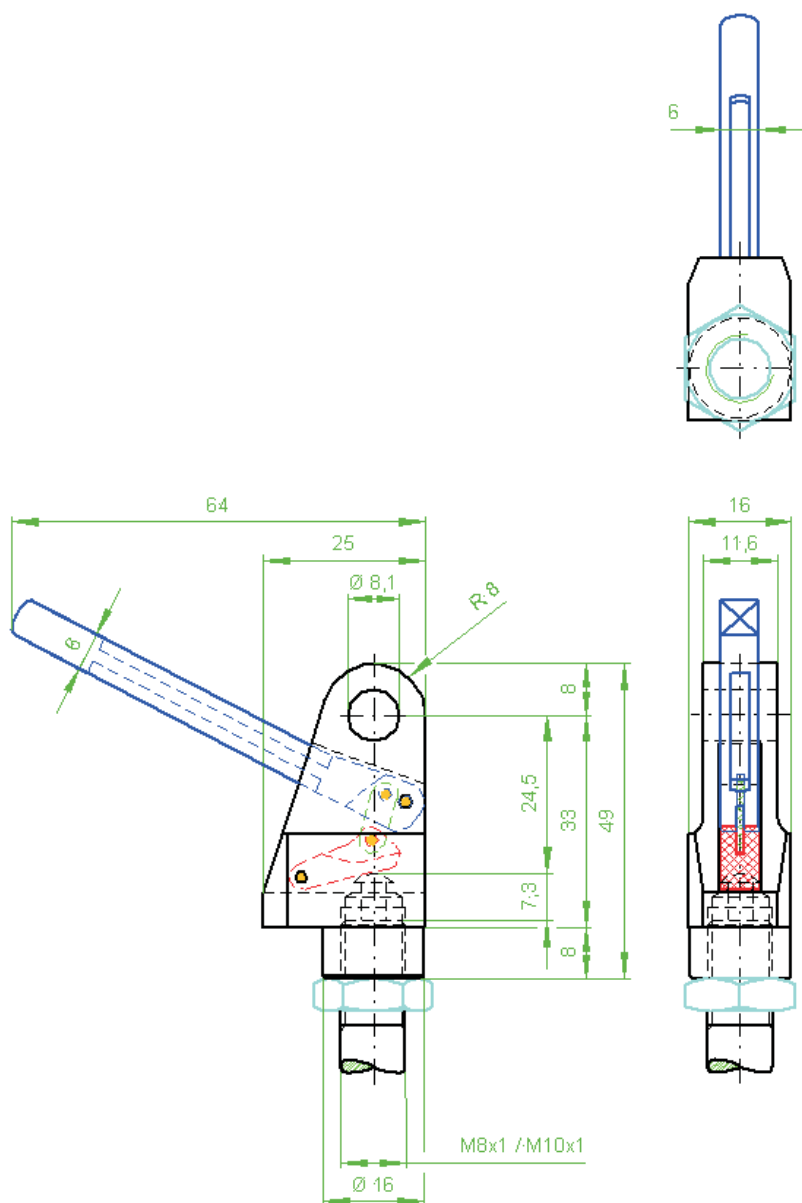
MOUNTING DIMENSIONS LA-SOHE-3A



LIGHT RELEASE HEADS

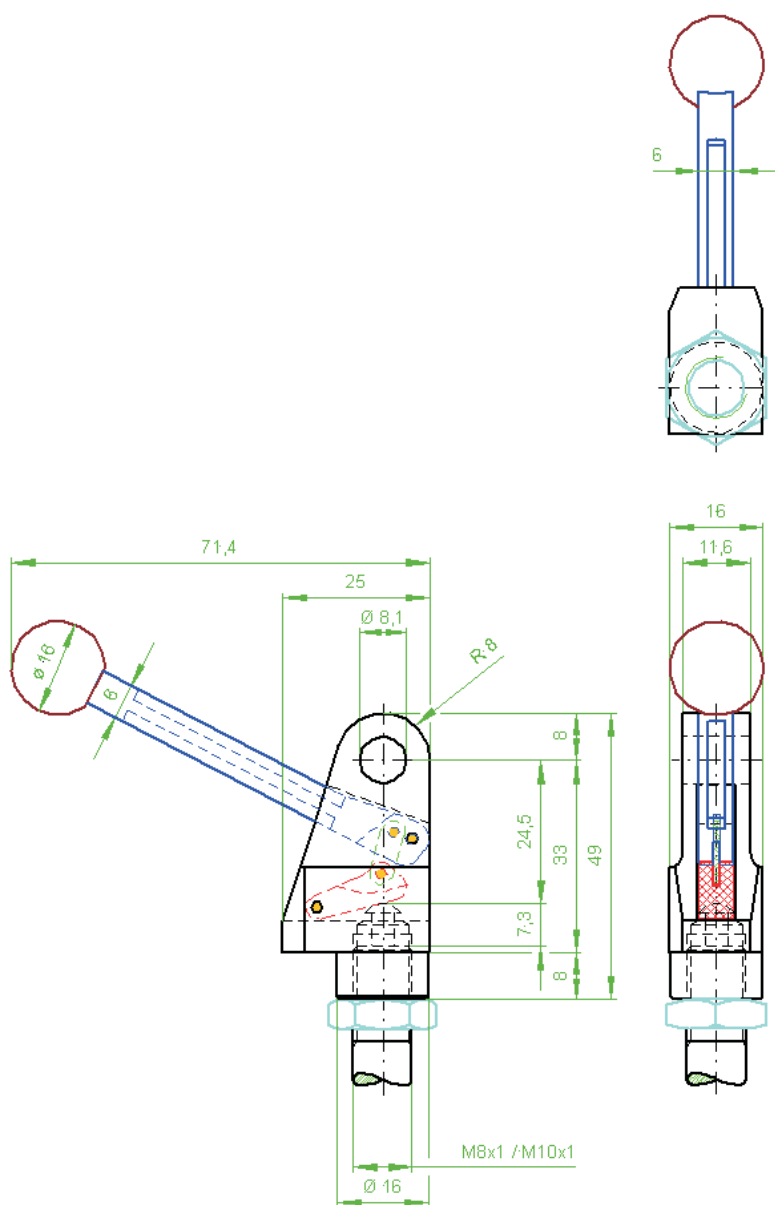
dimensions in mm / we reserve the right to make modifications

MOUNTING DIMENSIONS LA-SOHE67



dimensions in mm / we reserve the right to make modifications

MOUNTING DIMENSIONS LA-SOHE67-KU



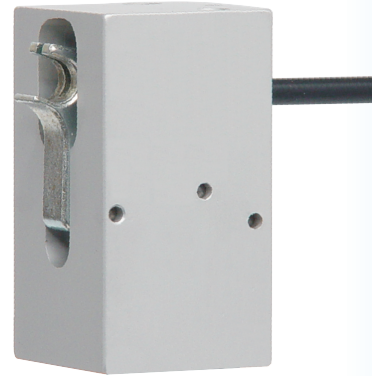
dimensions in mm / we reserve the right to make modifications

LIGHT RELEASE HEADS 90° TO GAS SPRING



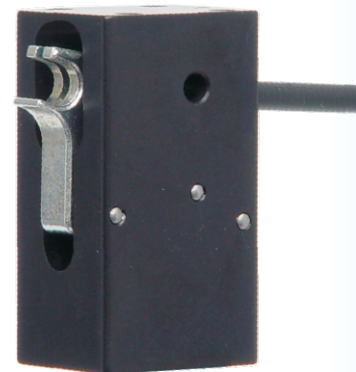
dimensions : [see page 29](#)
 material : aluminium/steel
 reduction : 1:10
 max. force F1 of gas spring : 800 N
 release power : about 2 % of F1
 of the gas spring
 connectable bowden wire : 1
 valve lifter release : 1
 gas spring : maximum 2,5 mm
 total distance for actuation : about 15 mm
 thread of gas spring piston : M10x1 or M8x1
 speed regulation gas spring : fine
 fields of application : blockable gas springs with short
 release whose release heads are
 operated by bowden wires

order description: LA-90G252546-M10x1
-M08x1



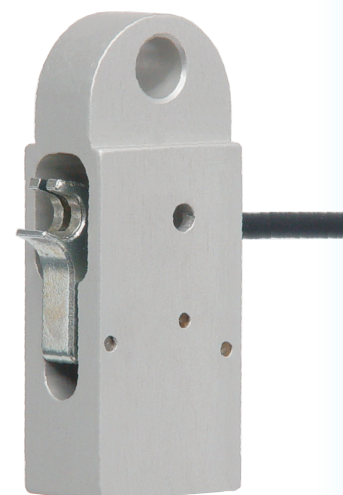
dimensions : [see page 30](#)
 material : aluminium/steel
 reduction : 1:10
 max. force F1 of gas spring : 800 N
 release power : about 2 % of F1
 of the gas spring
 connectable bowden wire : 1
 valve lifter release : 1
 gas spring : maximum 2,5 mm
 total distance for actuation : about 15 mm
 thread of gas spring piston : M10x1 or M8x1
 speed regulation gas spring : fine
 fields of application : blockable gas springs with short
 release whose release heads are
 operated by bowden wires

order description: LA-90G252046-M10x1
-M08x1



dimensions : [see page 31](#)
 material : aluminium/steel
 reduction : 1:10
 max. force F1 of gas spring : 800 N
 release power : about 2 % of F1
 of the gas spring
 connectable bowden wire : 1
 valve lifter release : 1
 gas spring : maximum 2,5 mm
 total distance for actuation : about 15 mm
 thread of gas spring piston : M10x1 or M8x1
 speed regulation gas spring : fine
 fields of application : blockable gas springs with short
 release whose release heads are
 operated by bowden wires

order description: LA-90G251563-M10x1
-M08x1



Accessories : [see page 104](#)

LIGHT RELEASE HEADS 90° TO GAS SPRING



dimensions : [see page 32](#)
 material : aluminium/steel
 reduction : 1:10
 max. force F1 of gas spring : 800 N
 release power : about 2 % of F1
 of the gas spring
 connectable bowden wire : 1
 valve lifter release
 gas spring : maximum 2,5 mm
 total distance for actuation : about 15 mm
 thread of gas spring piston : M10x1 or M8x1
 speed regulation gas spring : fine
 fields of application : blockable gas springs with short
 release whose release heads are
 operated by bowden wires

order description: LA-90G351559-R7-M10x1
-M08x1



dimensions : [see page 33](#)
 material : aluminium/steel
 reduction : 1:10
 max. force F1 of gas spring : 800 N
 release power : about 2 % of F1
 of the gas spring
 connectable bowden wire : 1
 valve lifter release
 gas spring : maximum 2,5 mm
 total distance for actuation : about 15 mm
 thread of gas spring piston : M10x1 or M8x1
 speed regulation gas spring : fine
 fields of application : blockable gas springs with short
 release whose release heads are
 operated by bowden wires

order description: LA-90G351559-M10x1
-M08x1



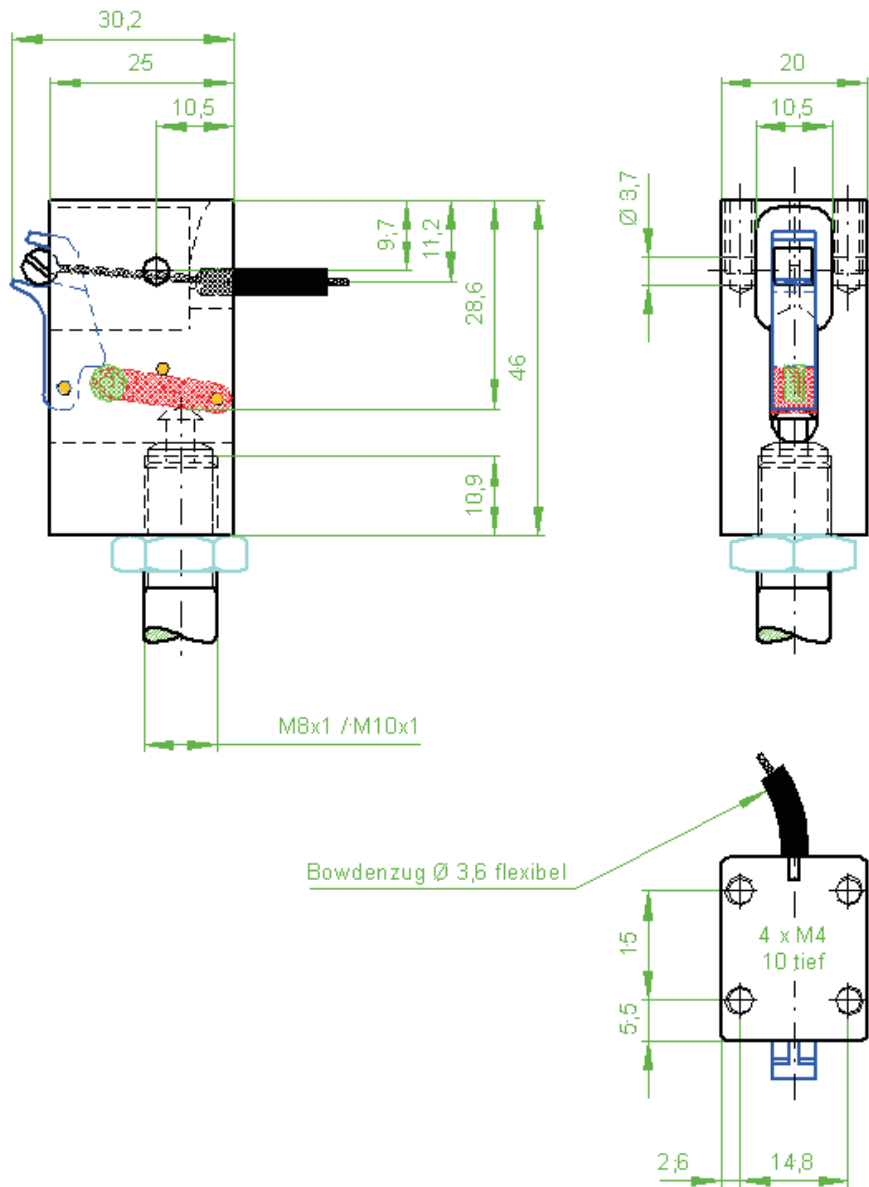
dimensions : [see page 34](#)
 material : aluminium/steel
 reduction : 1:10
 max. force F1 of gas spring : 800 N
 release power : about 2 % of F1
 of the gas spring
 connectable bowden wire : 1
 valve lifter release
 gas spring : maximum 2,5 mm
 total distance for actuation : about 15 mm
 thread of gas spring piston : M10x1 or M8x1
 speed regulation gas spring : fine
 fields of application : blockable gas springs with short
 release whose release heads are
 operated by bowden wires

order description: LA-90G252059-M10x1
-M08x1



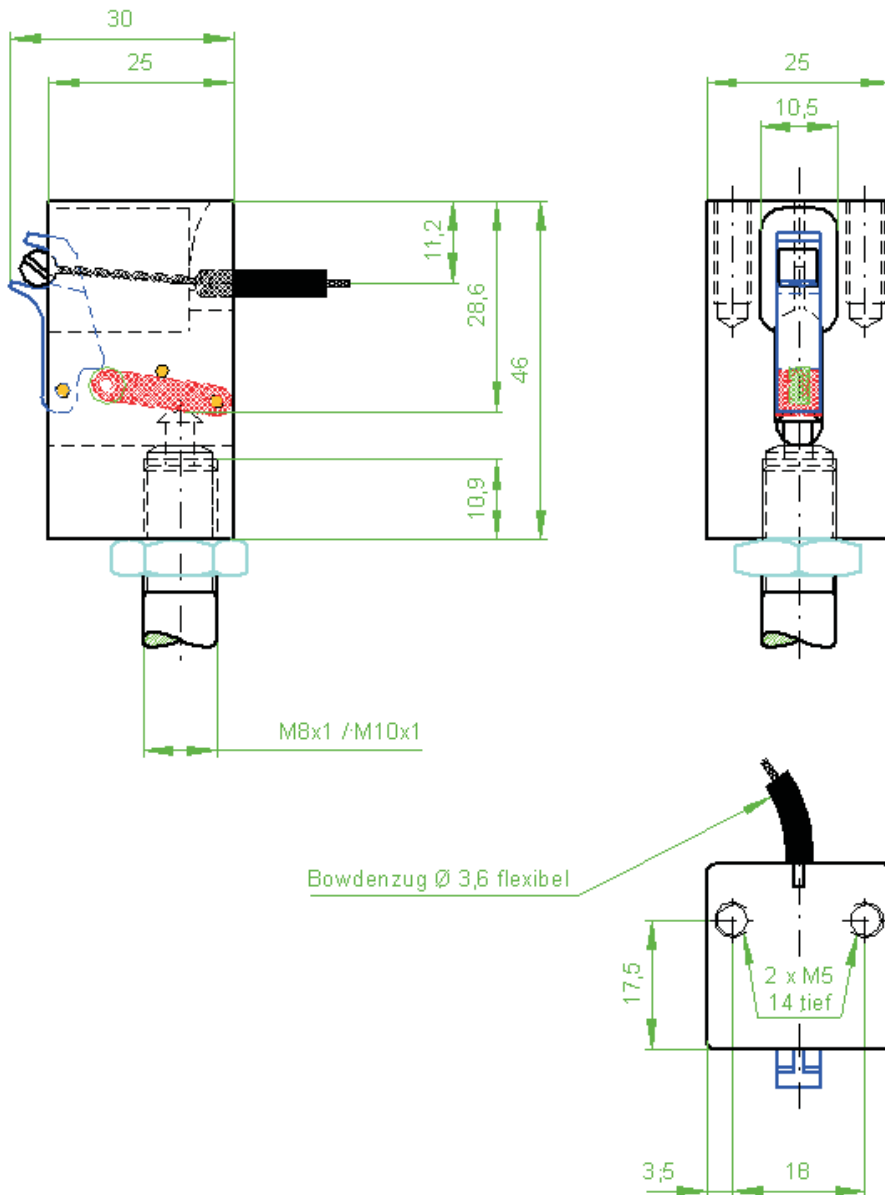
Accessories : [see page 104](#)

MOUNTING DIMENSIONS LA-90G252046



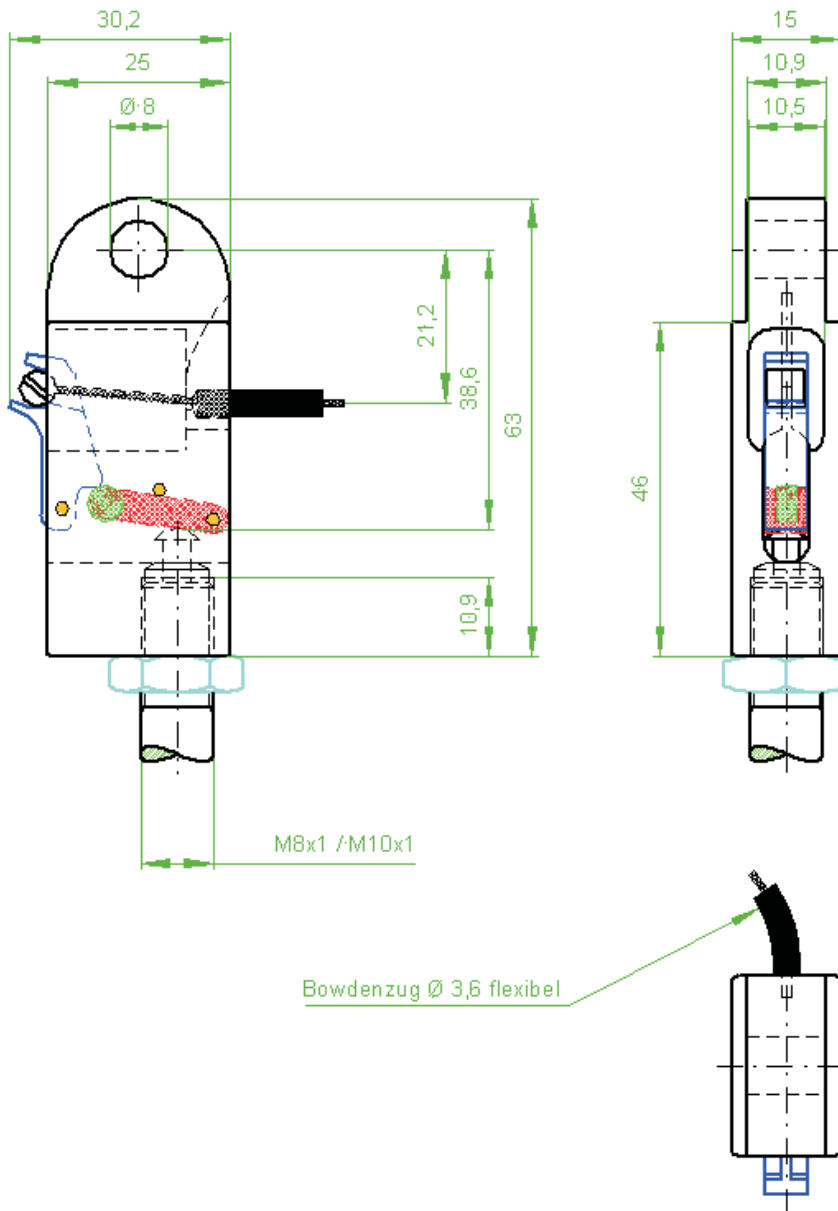
dimensions in mm / we reserve the right to make modifications

MOUNTING DIMENSIONS LA-90G252546



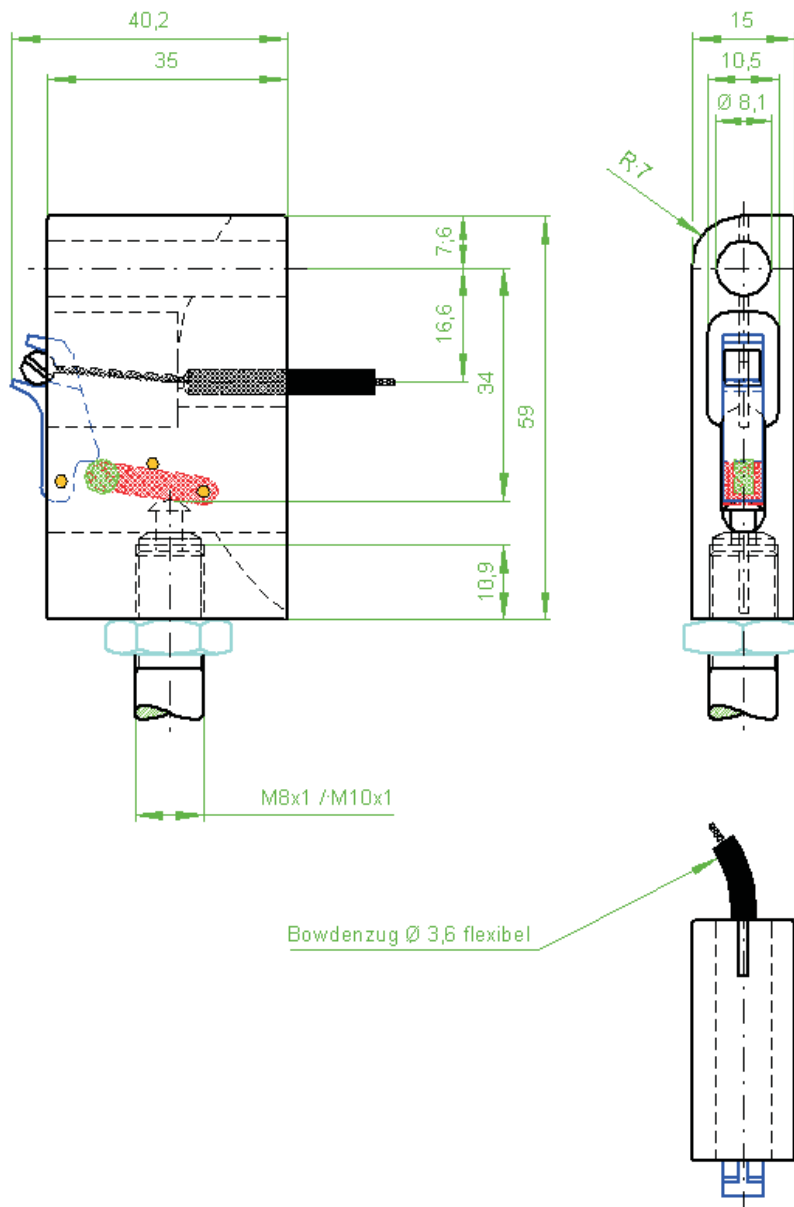
dimensions in mm / we reserve the right to make modifications

MOUNTING DIMENSIONS LA-90G251563



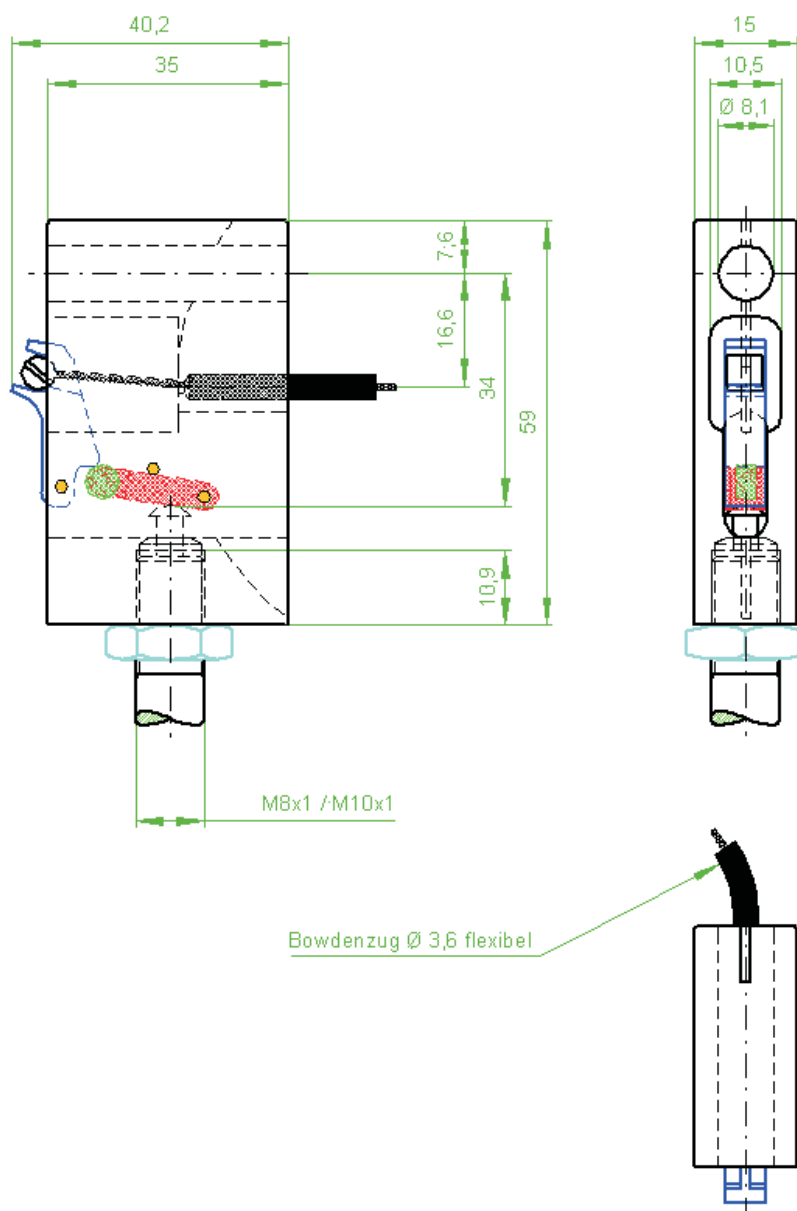
dimensions in mm / we reserve the right to make modifications

MOUNTING DIMENSIONS LA-90G251559-R7



dimensions in mm / we reserve the right to make modifications

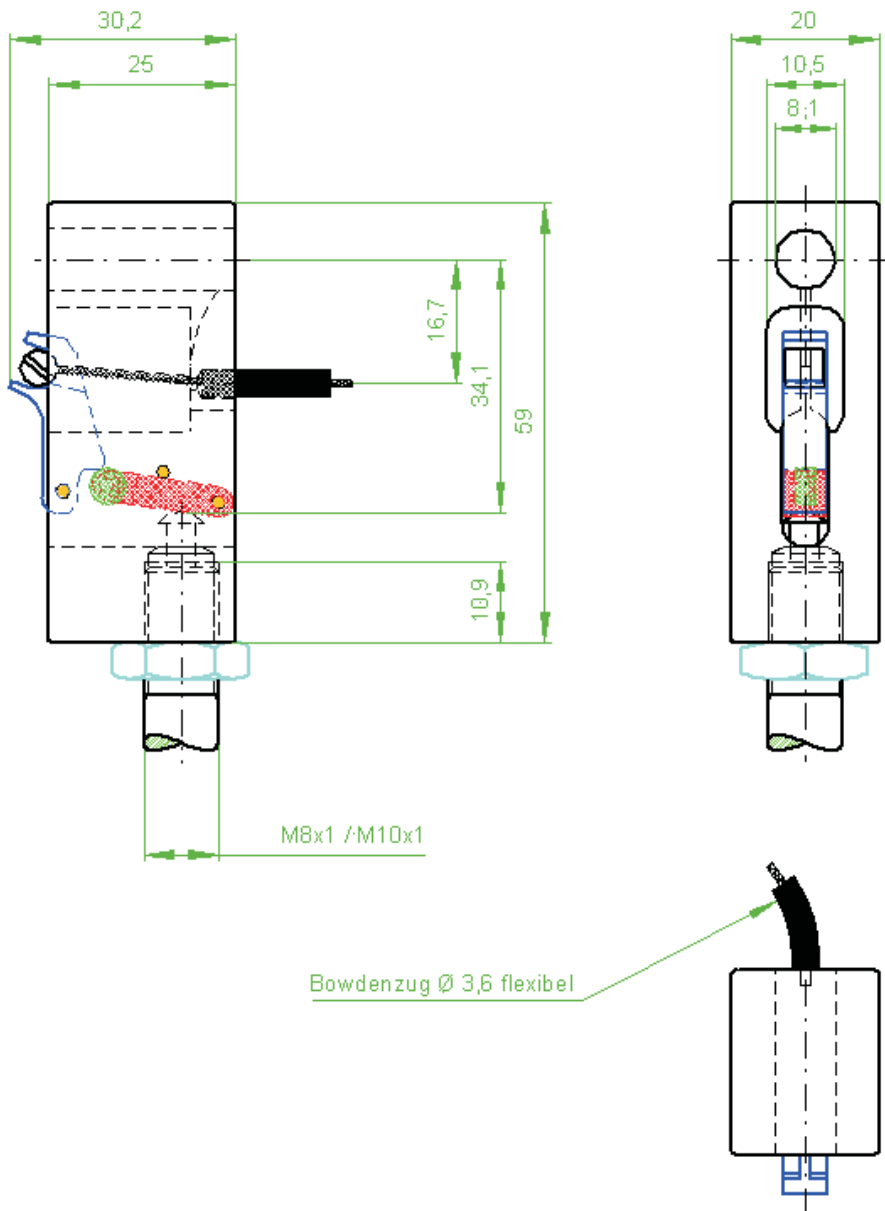
MOUNTING DIMENSIONS LA-90G351559



LIGHT RELEASE HEADS 90°

dimensions in mm / we reserve the right to make modifications

MOUNTING DIMENSIONS LA-90G252059



dimensions in mm / we reserve the right to make modifications

BUILT-IN PUSHBUTTONS

installation dimensions : [see page 46](#)
 material casing/pushbutton : aluminium/plastic
 exclusive model : aluminium/aluminium
 colour of casing : anodized aluminium
 black or natural,
 more colours on request
 colour of pushbutton : black, red, white
 more colours on request
 exclusive model : anodized aluminium
 black or natural,
 more colours on request
 distance to actuate : 11 mm
 transmission : 1:1
 controllable gas springs : 1
 max. cable force :
 on pushbutton : 800 gramme
 length of bowden wire : 25/50/75/100/125/150 cm

order description: EBT-322924F



installation dimensions : [see page 47](#)
 material casing/pushbutton : aluminium/plastic
 exclusive model : aluminium/aluminium
 colour of casing : anodized aluminium
 black or natural,
 more colours on request
 colour of pushbutton : black, red, white
 more colours on request
 exclusive model : anodized aluminium
 black or natural,
 more colours on request
 distance to actuate : 11 mm
 transmission : 1:1
 controllable gas springs : 1
 max. cable force :
 on pushbutton : 800 gramme
 length of bowden wire : 25/50/75/100/125/150 cm

order description: EBT-322924HH



installation dimensions : [see page 48](#)
 material casing/pushbutton : aluminium/plastic
 exclusive model : aluminium/aluminium
 colour of casing : anodized aluminium
 black or natural,
 more colours on request
 colour of pushbutton : black, red, white
 more colours on request
 exclusive model : anodized aluminium
 black or natural,
 more colours on request
 distance to actuate : 11 mm
 transmission : 1:1
 controllable gas springs : 1
 max. cable force :
 on pushbutton : 800 gramme
 length of bowden wire : 25/50/75/100/125/150 cm

order description: EBT-322924H



BUILT-IN PUSHBUTTONS

installation dimensions : [see page 52](#)
 material casing/pushbutton : aluminium/plastic
 exclusive model : aluminium/aluminium
 colour of casing : anodized aluminium
 black or natural,
 more colours on request
 colour of pushbutton : black, red, white
 more colours on request
 exclusive model : anodized aluminium
 black or natural,
 more colours on request
 distance to actuate : 11 mm
 transmission : 1:1
 controllable gas springs : 1
 max. cable force : 800 gramme
 on pushbutton
 length of bowden wire : 25/50/75/100/125/150 cm

order description: EBT-392924F



installation dimensions : [see page 53](#)
 material casing/pushbutton : aluminium/plastic
 exclusive model : aluminium/aluminium
 colour of casing : anodized aluminium
 black or natural,
 more colours on request
 colour of pushbutton : black, red, white
 more colours on request
 exclusive model : anodized aluminium
 black or natural,
 more colours on request
 distance to actuate : 11 mm
 transmission : 1:1
 controllable gas springs : 1
 max. cable force : 800 gramme
 on pushbutton
 length of bowden wire : 25/50/75/100/125/150 cm

order description: EBT-392924HH



installation dimensions : [see page 54](#)
 material casing/pushbutton : aluminium/plastic
 exclusive model : aluminium/aluminium
 colour of casing : anodized aluminium
 black or natural,
 more colours on request
 colour of pushbutton : black, red, white
 more colours on request
 exclusive model : anodized aluminium
 black or natural,
 more colours on request
 distance to actuate : 11 mm
 transmission : 1:1
 controllable gas springs : 1
 max. cable force : 800 gramme
 on pushbutton
 length of bowden wire : 25/50/75/100/125/150 cm

order description: EBT-392924H

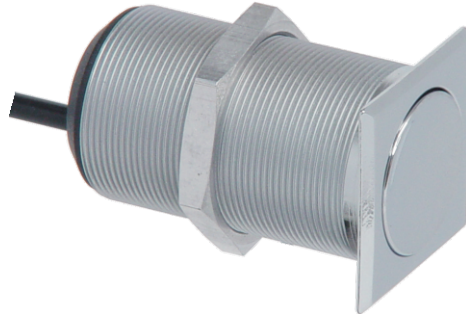


BUILT-IN PUSHBUTTONS CHROME



installation dimensions : [see page 46](#)
material casing/pushbutton : aluminium / aluminium
colour of casing : chrome
colour of pushbutton : chrome
distance to actuate : 11 mm
transmission : 1:1
controllable gas springs : 1
max. cable force on button : 800 gramme
length of bowden wire : 25/50/75/100/125/150 cm

order description: EBT-322924F-
CHROM



installation dimensions : [see page 47](#)
material casing/pushbutton : aluminium / aluminium
colour of casing : chrome
colour of pushbutton : chrome
distance to actuate : 11 mm
transmission : 1:1
controllable gas springs : 1
max. cable force on button : 800 gramme
length of bowden wire : 25/50/75/100/125/150 cm

order description: EBT-322924HH-
CHROM



installation dimensions : [see page 48](#)
material casing/pushbutton : aluminium / aluminium
colour of casing : chrome
colour of pushbutton : chrome
distance to actuate : 11 mm
transmission : 1:1
controllable gas springs : 1
max. cable force on button : 800 gramme
length of bowden wire : 25/50/75/100/125/150 cm

order description: EBT-322924H-
CHROM



BUILT-IN PUSHBUTTONS CHROME



installation dimensions : [see page 49](#)
material casing/pushbutton : aluminium / aluminium
colour of casing : chrome
colour of pushbutton : chrome
distance to actuate : 11 mm
transmission : 1:1
controllable gas springs : 1
max. cable force on button : 800 gramme
length of bowden wire : 25/50/75/100/125/150 cm

order description: EBT-332924F-
CHROM



installation dimensions : [see page 50](#)
material casing/pushbutton : aluminium / aluminium
colour of casing : chrome
colour of pushbutton : chrome
distance to actuate : 11 mm
transmission : 1:1
controllable gas springs : 1
max. cable force on button : 800 gramme
length of bowden wire : 25/50/75/100/125/150 cm

order description: EBT-332924HH-
CHROM



installation dimensions : [see page 51](#)
material casing/pushbutton : aluminium / aluminium
colour of casing : chrome
colour of pushbutton : chrome
distance to actuate : 11 mm
transmission : 1:1
controllable gas springs : 1
max. cable force on button : 800 gramme
length of bowden wire : 25/50/75/100/125/150 cm

order description: EBT-332924H-
CHROM



BUILT-IN PUSHBUTTONS CHROME

BUILT-IN PUSHBUTTONS CHROME



installation dimensions : [see page 52](#)
material casing/pushbutton : aluminium / aluminium
colour of casing : chrome
colour of pushbutton : chrome
distance to actuate : 11 mm
transmission : 1:1
controllable gas springs : 1
max. cable force on button : 800 gramme
length of bowden wire : 25/50/75/100/125/150 cm

order description: EBT-392924F-
CHROM



installation dimensions : [see page 53](#)
material casing/pushbutton : aluminium / aluminium
colour of casing : chrome
colour of pushbutton : chrome
distance to actuate : 11 mm
transmission : 1:1
controllable gas springs : 1
max. cable force on button : 800 gramme
length of bowden wire : 25/50/75/100/125/150 cm

order description: EBT-392924HH-
CHROM



installation dimensions : [see page 54](#)
material casing/pushbutton : aluminium / aluminium
colour of casing : chrome
colour of pushbutton : chrome
distance to actuate : 11 mm
transmission : 1:1
controllable gas springs : 1
max. cable force on button : 800 gramme
length of bowden wire : 25/50/75/100/125/150 cm

order description: EBT-392924H-
CHROM

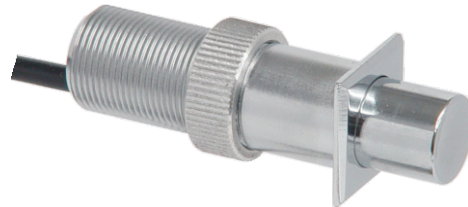


BUILT-IN PUSHBUTTONS CHROME



installation dimensions : [see page 43](#)
material casing/pushbutton : aluminium / aluminium
colour of casing : chrome
colour of pushbutton : chrome
distance to actuate : 11 mm
transmission : 1:1
controllable gas springs : 1
max. cable force on button : 800 gramme
length of bowden wire : 25/50/75/100/125/150 cm

order description: EBT-201613H-
CHROM



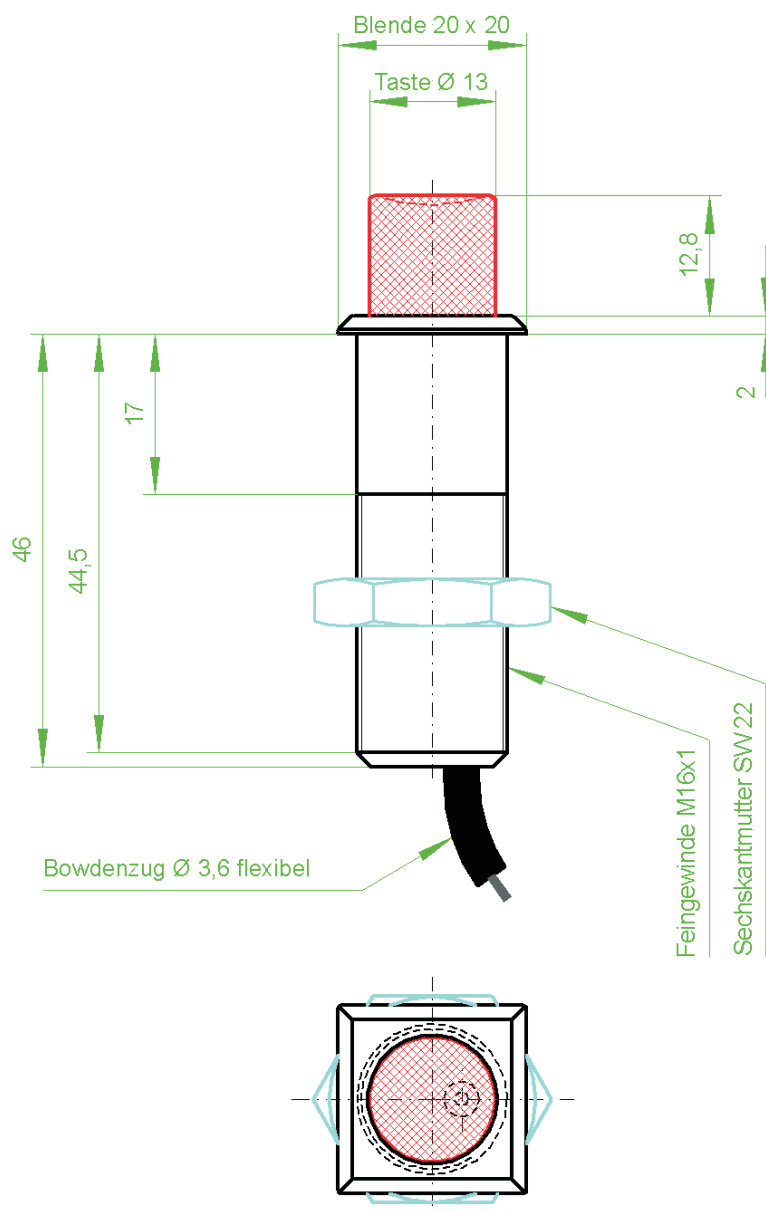
installation dimensions : [see page 44](#)
material casing/pushbutton : aluminium / aluminium
colour of casing : chrome
colour of pushbutton : chrome
distance to actuate : 11 mm
transmission : 1:1
controllable gas springs : 1
max. cable force on button : 800 gramme
length of bowden wire : 25/50/75/100/125/150 cm

order description: EBT-221613H-
CHROM



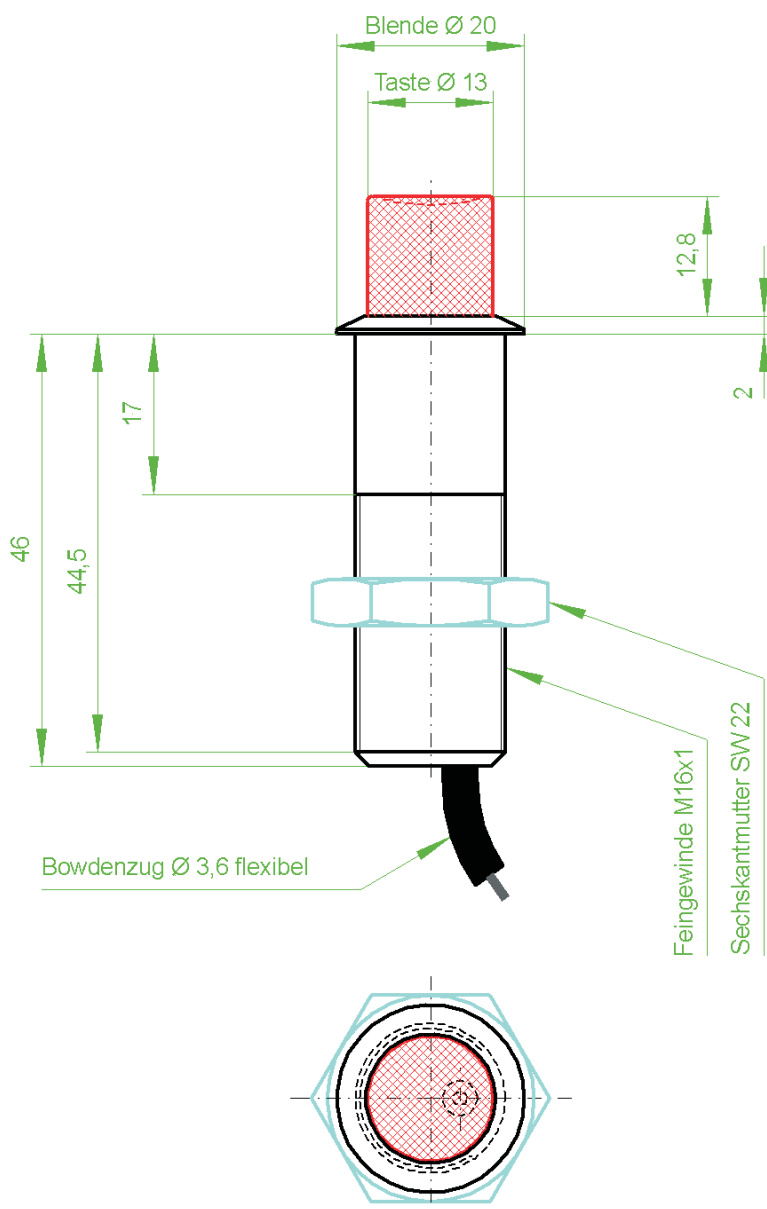
BUILT-IN PUSHBUTTONS CHROME

MOUNTING DIMENSIONS EBT-201613H



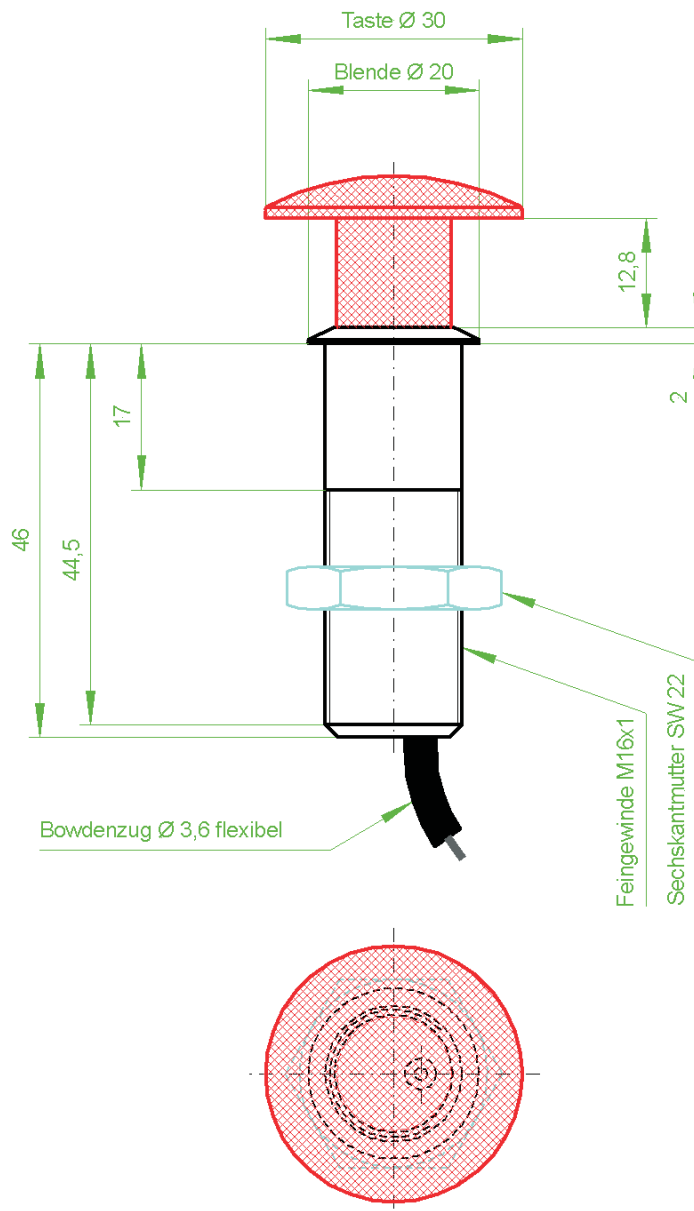
dimensions in mm / we reserve the right to make modifications

MOUNTING DIMENSIONS EBT-221613H



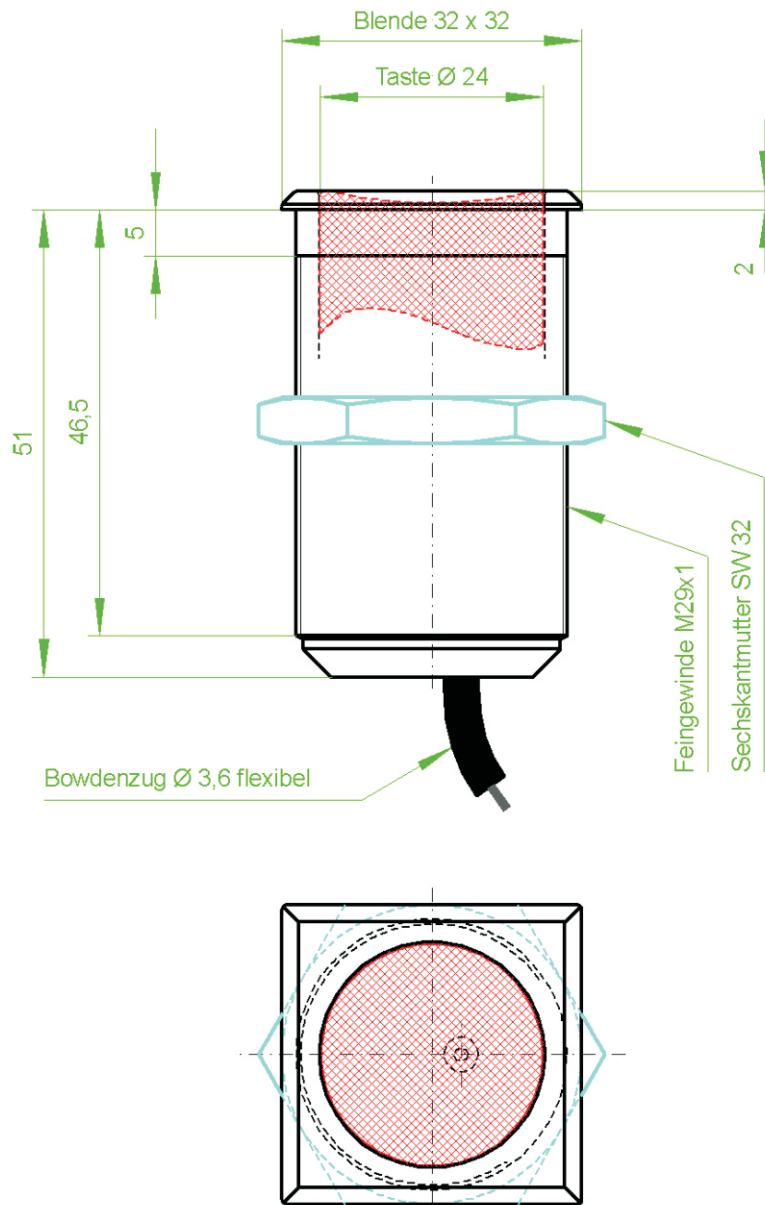
dimensions in mm / we reserve the right to make modifications

MOUNTING DIMENSIONS EBT-221630P



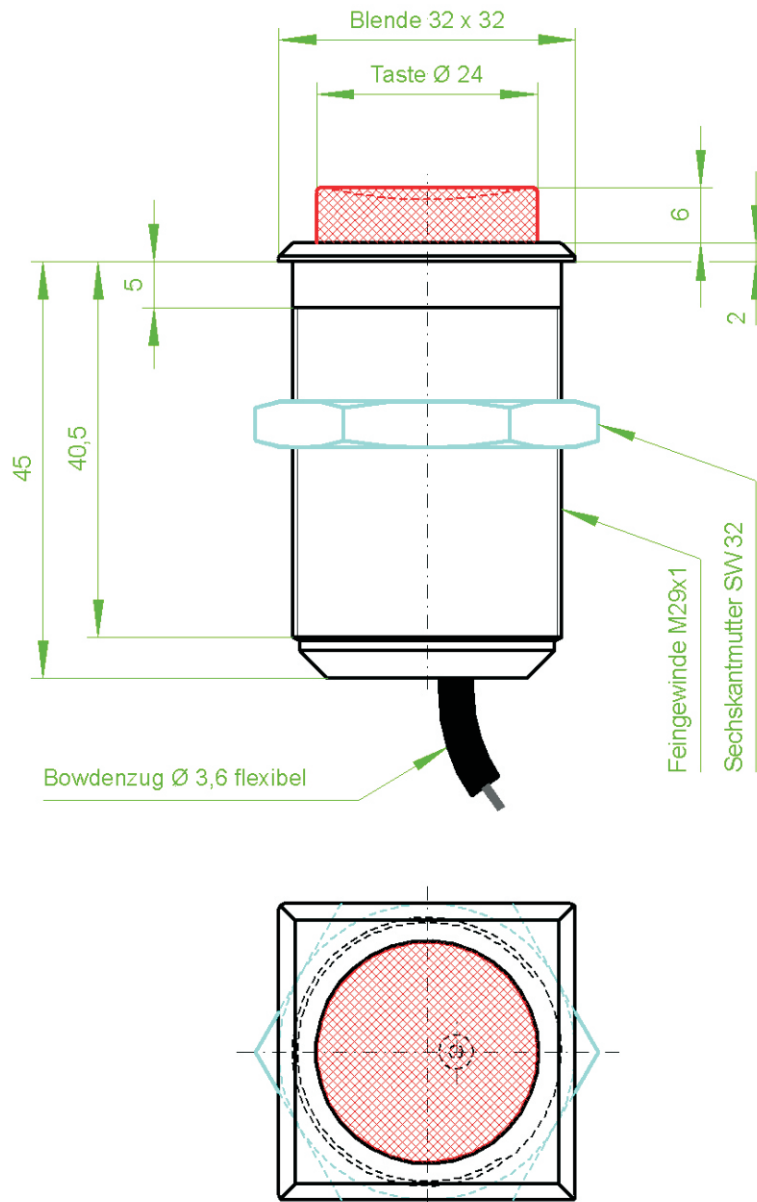
dimensions in mm / we reserve the right to make modifications

MOUNTING DIMENSIONS EBT-322924F



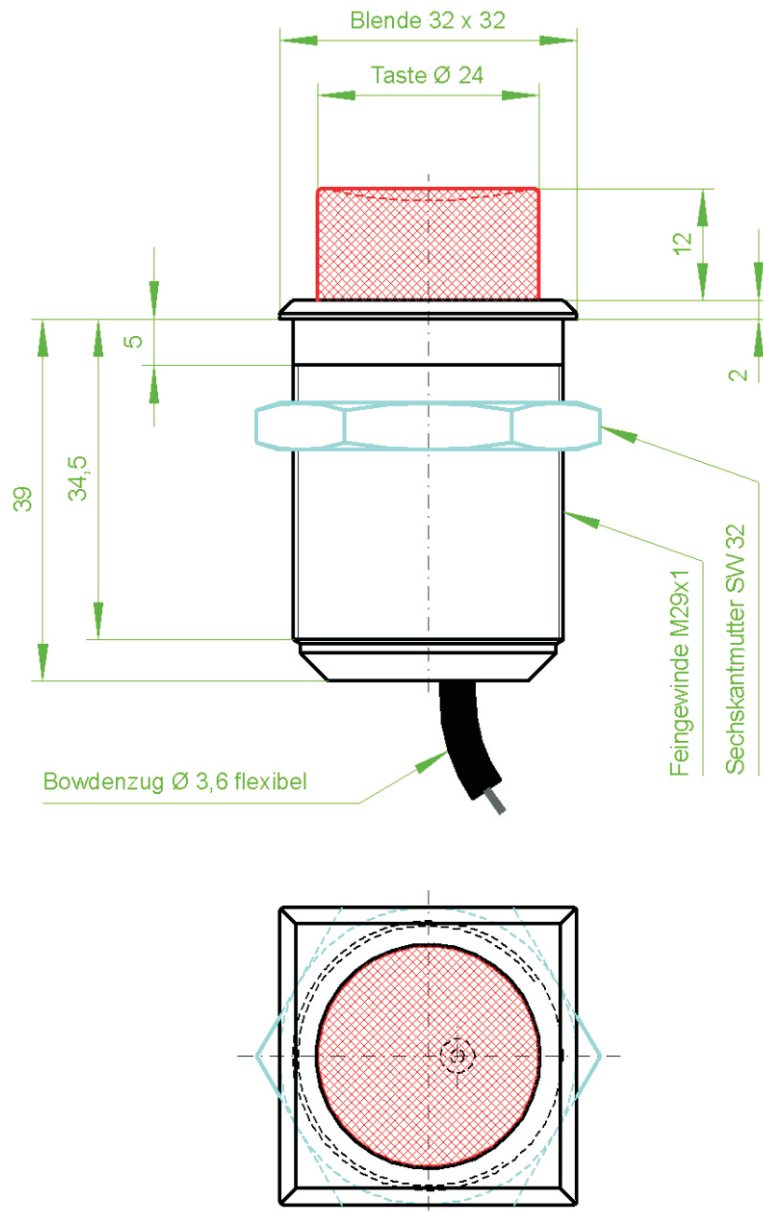
dimensions in mm / we reserve the right to make modifications

MOUNTING DIMENSIONS EBT-322924HH



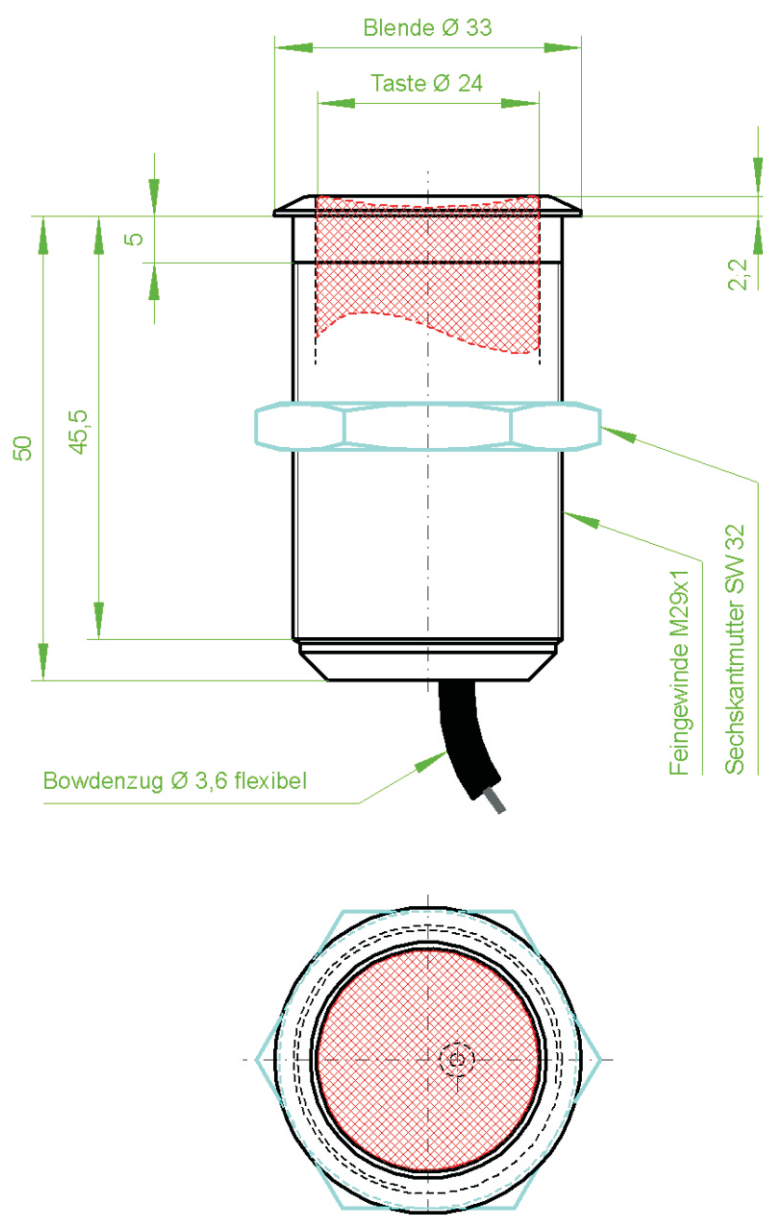
dimensions in mm / we reserve the right to make modifications

MOUNTING DIMENSIONS EBT-322924H



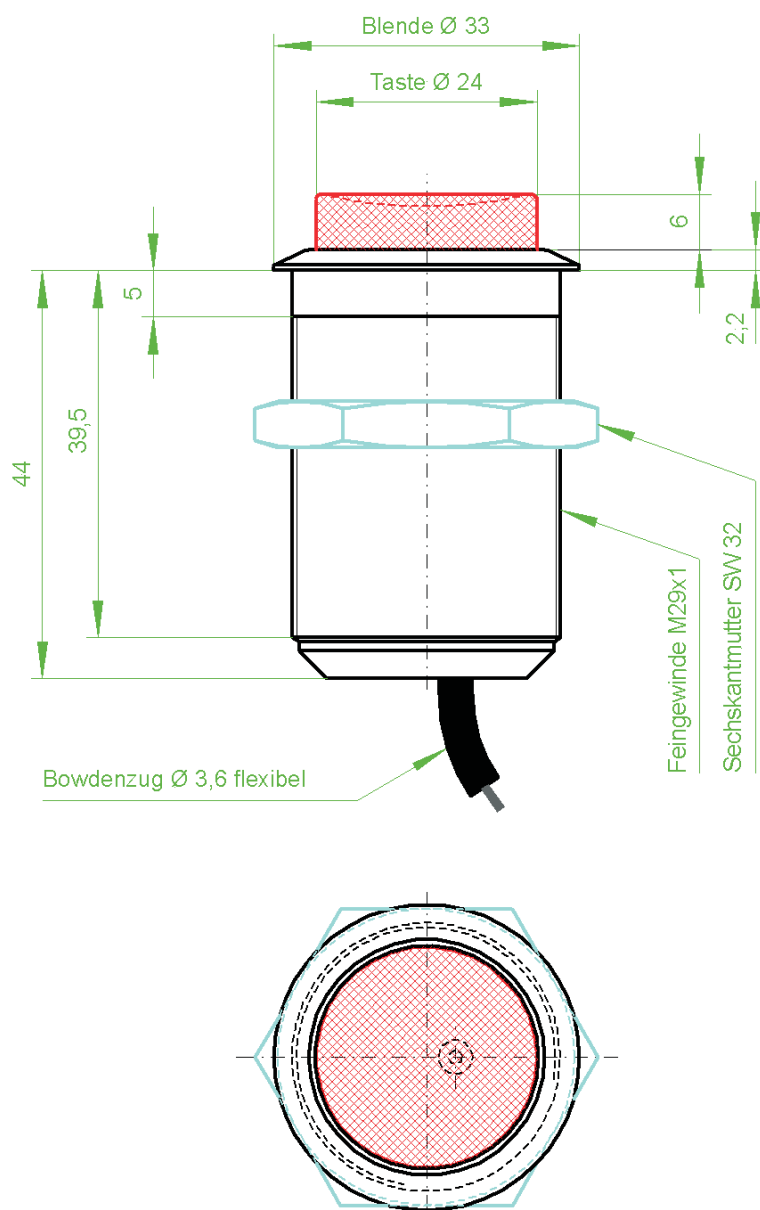
dimensions in mm / we reserve the right to make modifications

MOUNTING DIMENSIONS EBT-332924F



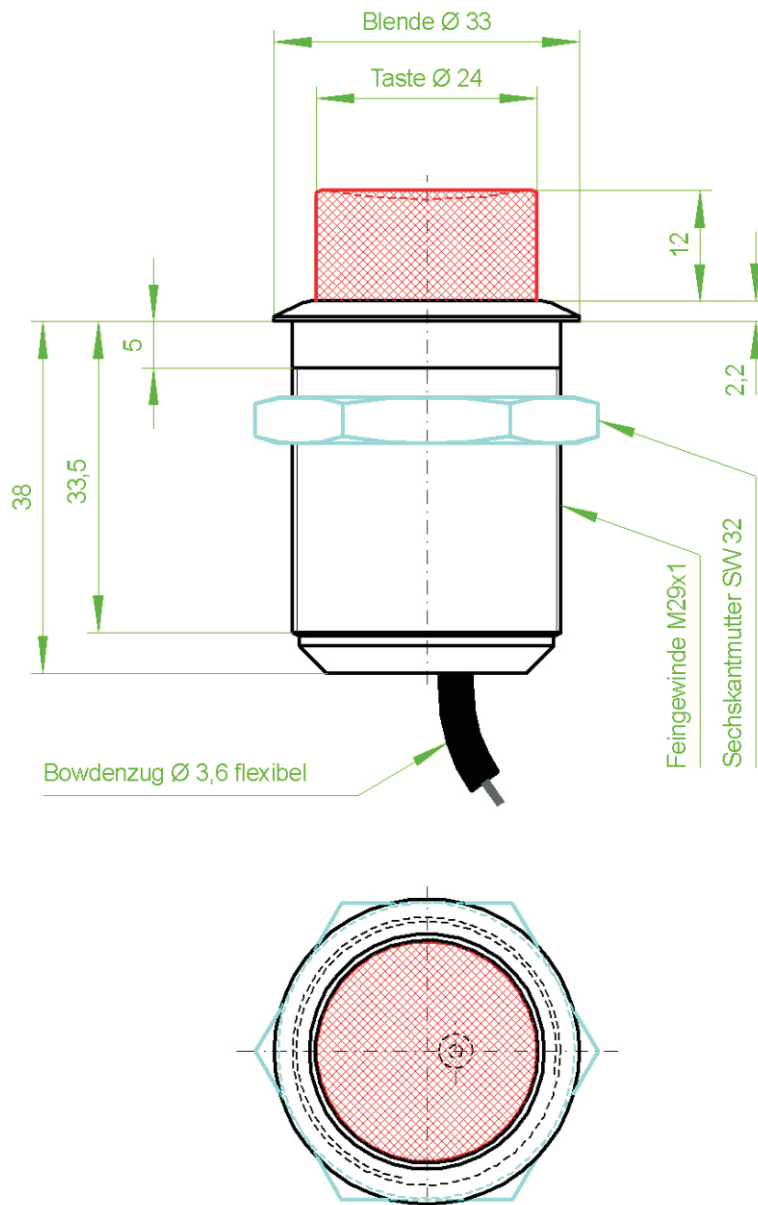
dimensions in mm / we reserve the right to make modifications

MOUNTING DIMENSIONS EBT-332924HH



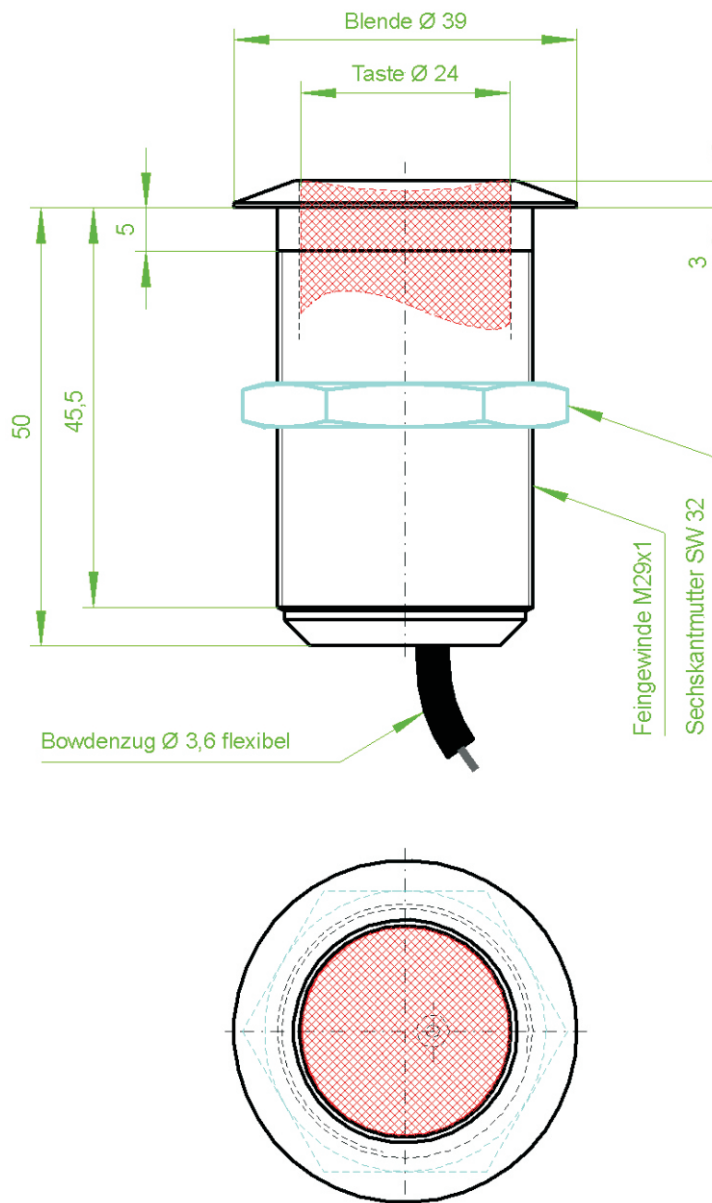
dimensions in mm / we reserve the right to make modifications

MOUNTING DIMENSIONS EBT-332924H



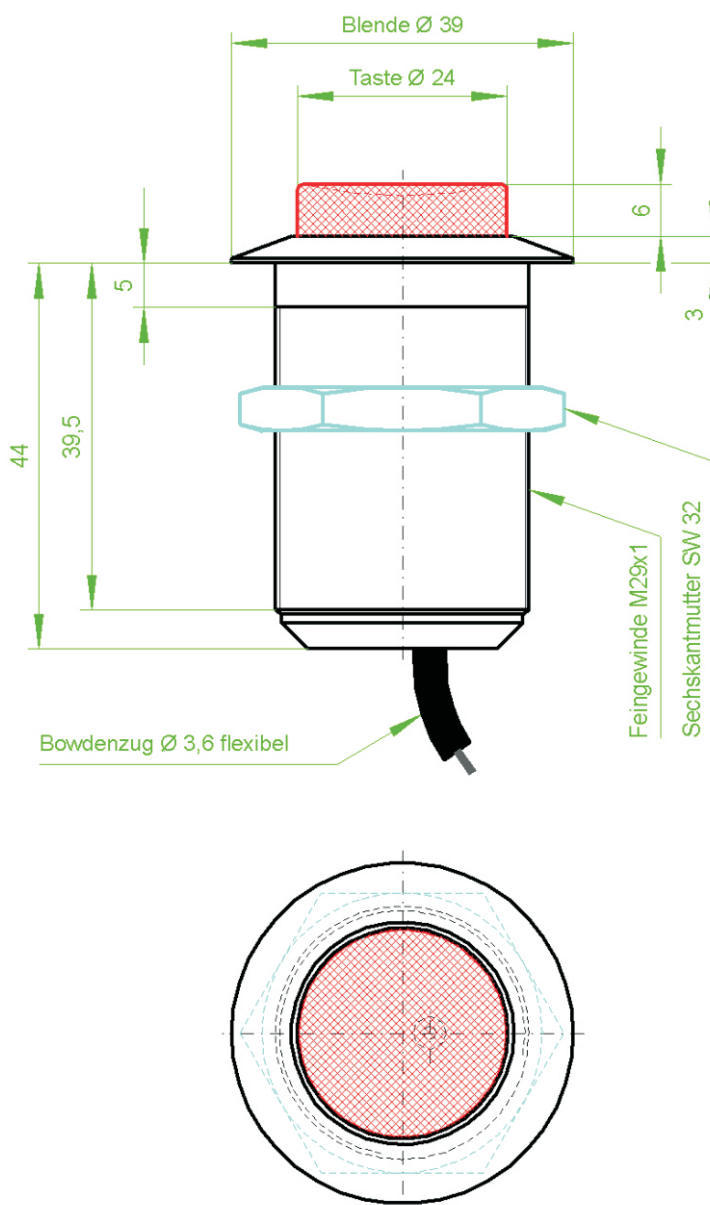
dimensions in mm / we reserve the right to make modifications

MOUNTING DIMENSIONS EBT-392924F



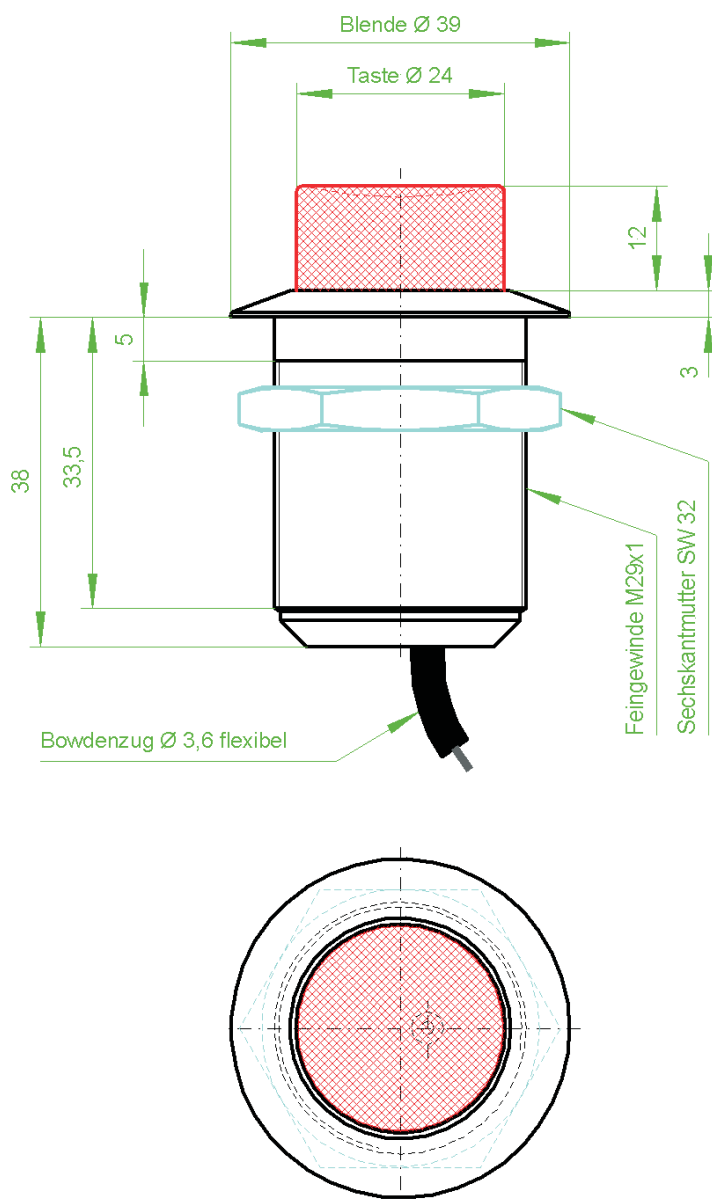
dimensions in mm / we reserve the right to make modifications

MOUNTING DIMENSIONS EBT-392924HH



dimensions in mm / we reserve the right to make modifications

MOUNTING DIMENSIONS EBT-392924H

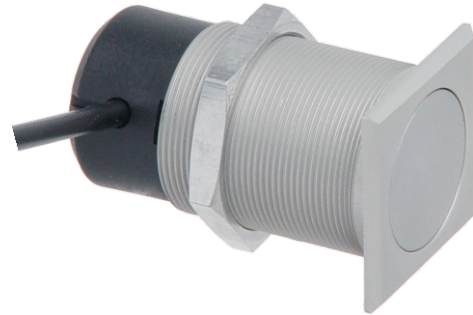


dimensions in mm / we reserve the right to make modifications

CORNER BUILT-IN PUSHBUTTONS

installation dimensions : [see page 63](#)
material casing/pushbutton : aluminium/plastic
exclusive model : aluminium/aluminium
colour of casing : anodized aluminium
black or natural,
more colours on request
colour of pushbutton : black, red, white
more colours on request
exclusive model : anodized aluminium
black or natural,
more colours on request
distance to actuate : 11 mm
transmission : 1:1
controllable gas springs : 1
max. cable force
on pushbutton : 800 gramme
length of bowden wire : 25/50/75/100/125/150 cm

order description: EBT-322924F-W



installation dimensions : [see page 64](#)
material casing/pushbutton : aluminium/plastic
exclusive model : aluminium/aluminium
colour of casing : anodized aluminium
black or natural,
more colours on request
colour of pushbutton : black, red, white
more colours on request
exclusive model : anodized aluminium
black or natural,
more colours on request
distance to actuate : 11 mm
transmission : 1:1
controllable gas springs : 1
max. cable force
on pushbutton : 800 gramme
length of bowden wire : 25/50/75/100/125/150 cm

order description: EBT-322924HH-W



installation dimensions : [see page 65](#)
material casing/pushbutton : aluminium/plastic
exclusive model : aluminium/aluminium
colour of casing : anodized aluminium
black or natural,
more colours on request
colour of pushbutton : black, red, white
more colours on request
exclusive model : anodized aluminium
black or natural,
more colours on request
distance to actuate : 11 mm
transmission : 1:1
controllable gas springs : 1
max. cable force
on pushbutton : 800 gramme
length of bowden wire : 25/50/75/100/125/150 cm

order description: EBT-322924H-W



CORNER BUILT-IN PUSHBUTTONS

installation dimensions : [see page 66](#)
material casing/pushbutton : aluminium/plastic
exclusive model : aluminium/aluminium
colour of casing : anodized aluminium
black or natural,
more colours on request
colour of pushbutton : black, red, white
more colours on request
exclusive model : anodized aluminium
black or natural,
more colours on request
distance to actuate : 11 mm
transmission : 1:1
controllable gas springs : 1
max. cable force
on pushbutton : 800 gramme
length of bowden wire : 25/50/75/100/125/150 cm

order description: EBT-332924F-W



installation dimensions : [see page 67](#)
material casing/pushbutton : aluminium/plastic
exclusive model : aluminium/aluminium
colour of casing : anodized aluminium
black or natural,
more colours on request
colour of pushbutton : black, red, white
more colours on request
exclusive model : anodized aluminium
black or natural,
more colours on request
distance to actuate : 11 mm
transmission : 1:1
controllable gas springs : 1
max. cable force
on pushbutton : 800 gramme
length of bowden wire : 25/50/75/100/125/150 cm

order description: EBT-332924HH-W



installation dimensions : [see page 68](#)
material casing/pushbutton : aluminium/plastic
exclusive model : aluminium/aluminium
colour of casing : anodized aluminium
black or natural,
more colours on request
colour of pushbutton : black, red, white
more colours on request
exclusive model : anodized aluminium
black or natural,
more colours on request
distance to actuate : 11 mm
transmission : 1:1
controllable gas springs : 1
max. cable force
on pushbutton : 800 gramme
length of bowden wire : 25/50/75/100/125/150 cm

order description: EBT-332924H-W



CORNER BUILT-IN PUSHBUTTONS

installation dimensions	: see page 69
material casing/pushbutton	: aluminium/plastic
exclusive model	: aluminium/aluminium
colour of casing	: anodized aluminium black or natural, more colours on request
colour of pushbutton	: black, red, white more colours on request
exclusive model	: anodized aluminium black or natural, more colours on request
distance to actuate	: 11 mm
transmission	: 1:1
controllable gas springs	: 1
max. cable force	
on pushbutton	: 800 gramme
length of bowden wire	: 25/50/75/100/125/150 cm

order description: EBT-392924F-W



installation dimensions	: see page 70
material casing/pushbutton	: aluminium/plastic
exclusive model	: aluminium/aluminium
colour of casing	: anodized aluminium black or natural, more colours on request
colour of pushbutton	: black, red, white more colours on request
exclusive model	: anodized aluminium black or natural, more colours on request
distance to actuate	: 11 mm
transmission	: 1:1
controllable gas springs	: 1
max. cable force	
on pushbutton	: 800 gramme
length of bowden wire	: 25/50/75/100/125/150 cm

order description: EBT-392924HH-W



installation dimensions	: see page 71
material casing/pushbutton	: aluminium/plastic
exclusive model	: aluminium/aluminium
colour of casing	: anodized aluminium black or natural, more colours on request
colour of pushbutton	: black, red, white more colours on request
exclusive model	: anodized aluminium black or natural, more colours on request
distance to actuate	: 11 mm
transmission	: 1:1
controllable gas springs	: 1
max. cable force	
on pushbutton	: 800 gramme
length of bowden wire	: 25/50/75/100/125/150 cm

order description: EBT-392924H-W



CORNER BUILT-IN PUSHBUTTONS

installation dimensions	: see page 72
material casing/pushbutton	: aluminium/aluminium
colour of casing	: anodized aluminium: black or natural, more colours on request
colour of pushbutton	: anodized aluminium: black or natural, more colours on request
distance to actuate	: 6 mm
transmission	: 1:2
controllable gas springs	: 1
max. cable force	
on pushbutton	: 400 gramme
length of bowden wire	: 25/50/75/100/125/150 cm

order description: EBT-282218HH-W



CORNER BUILT-IN PUSHBUTTONS CHROME



installation dimensions : [see page 63](#)
material casing/pushbutton : aluminium / aluminium
colour of casing : chrome
colour of pushbutton : chrome
distance to actuate : 11 mm
transmission : 1:1
controllable gas springs : 1
max. cable force on button : 800 gramme
length of bowden wire : 25/50/75/100/125/150 cm

order description: EBT-322924F-W-
CHROM



installation dimensions : [see page 64](#)
material casing/pushbutton : aluminium / aluminium
colour of casing : chrome
colour of pushbutton : chrome
distance to actuate : 11 mm
transmission : 1:1
controllable gas springs : 1
max. cable force on button : 800 gramme
length of bowden wire : 25/50/75/100/125/150 cm

order description: EBT-322924HH-W-
CHROM



installation dimensions : [see page 65](#)
material casing/pushbutton : aluminium / aluminium
colour of casing : chrome
colour of pushbutton : chrome
distance to actuate : 11 mm
transmission : 1:1
controllable gas springs : 1
max. cable force on button : 800 gramme
length of bowden wire : 25/50/75/100/125/150 cm

order description: EBT-322924H-W-
CHROM



CORNER BUILT-IN PUSHBUTTONS CHROME



installation dimensions : [see page 66](#)
material casing/pushbutton : aluminium / aluminium
colour of casing : chrome
colour of pushbutton : chrome
distance to actuate : 11 mm
transmission : 1:1
controllable gas springs : 1
max. cable force on button : 800 gramme
length of bowden wire : 25/50/75/100/125/150 cm

order description: EBT-332924F-W-
CHROM



installation dimensions : [see page 67](#)
material casing/pushbutton : aluminium / aluminium
colour of casing : chrome
colour of pushbutton : chrome
distance to actuate : 11 mm
transmission : 1:1
controllable gas springs : 1
max. cable force on button : 800 gramme
length of bowden wire : 25/50/75/100/125/150 cm

order description: EBT-332924HH-W-
CHROM



installation dimensions : [see page 68](#)
material casing/pushbutton : aluminium / aluminium
colour of casing : chrome
colour of pushbutton : chrome
distance to actuate : 11 mm
transmission : 1:1
controllable gas springs : 1
max. cable force on button : 800 gramme
length of bowden wire : 25/50/75/100/125/150 cm

order description: EBT-332924H-W-
CHROM



CORNER BUILT-IN PUSHBUTTONS CHROME



installation dimensions : [see page 69](#)
material casing/pushbutton : aluminium / aluminium
colour of casing : chrome
colour of pushbutton : chrome
distance to actuate : 11 mm
transmission : 1:1
controllable gas springs : 1
max. cable force on button : 800 gramme
length of bowden wire : 25/50/75/100/125/150 cm

order description: EBT-392924F-W-
CHROM



installation dimensions : [see page 70](#)
material casing/pushbutton : aluminium / aluminium
colour of casing : chrome
colour of pushbutton : chrome
distance to actuate : 11 mm
transmission : 1:1
controllable gas springs : 1
max. cable force on button : 800 gramme
length of bowden wire : 25/50/75/100/125/150 cm

order description: EBT-392924HH-W-
CHROM



installation dimensions : [see page 71](#)
material casing/pushbutton : aluminium / aluminium
colour of casing : chrome
colour of pushbutton : chrome
distance to actuate : 11 mm
transmission : 1:1
controllable gas springs : 1
max. cable force on button : 800 gramme
length of bowden wire : 25/50/75/100/125/150 cm

order description: EBT-392924H-W-
CHROM

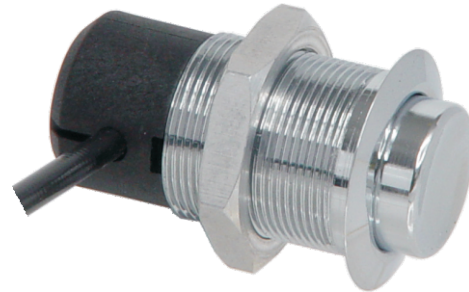


CORNER BUILT-IN PUSHBUTTONS CHROME

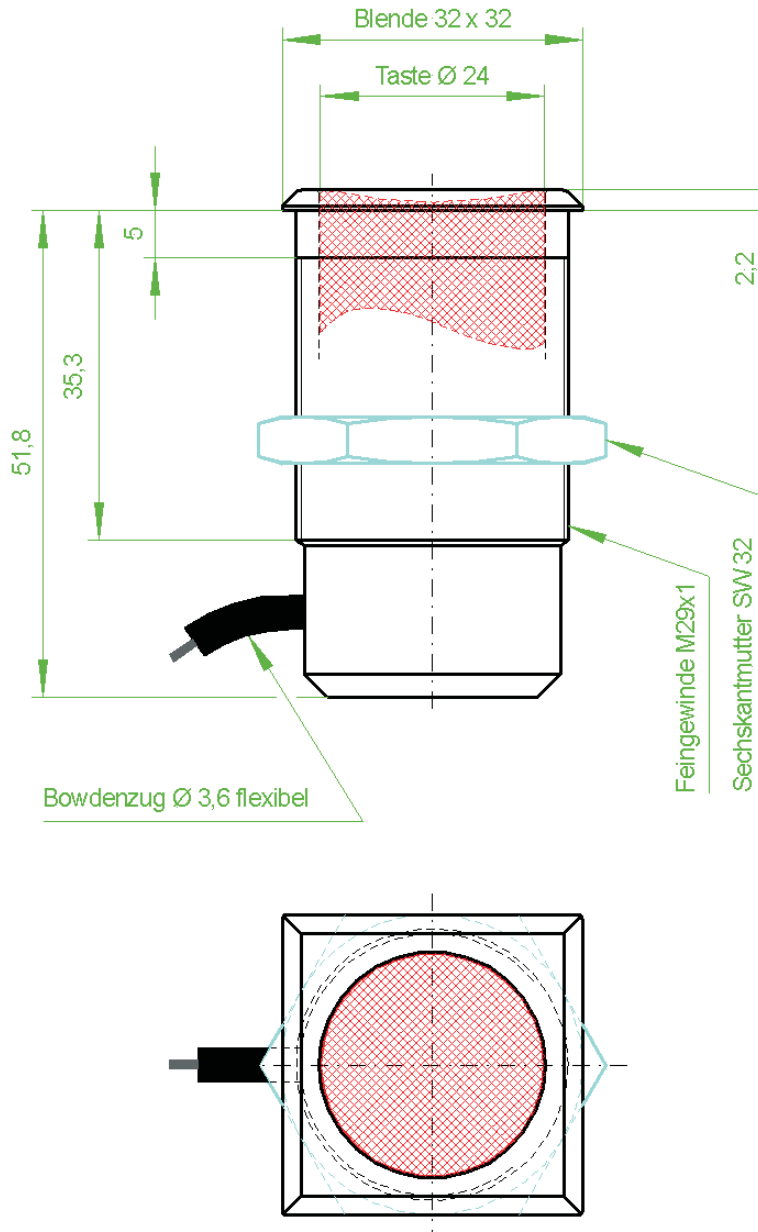


installation dimensions	: see page 72
material casing/pushbutton	: aluminium / aluminium
colour of casing	: chrome
colour of pushbutton	: chrome
distance to actuate	: 6 mm
transmission	: 1:2
controllable gas springs	: 1
max. cable force on button	: 400 gramme
length of bowden wire	: 25/50/75/100/125/150 cm

order description: EBT-282218HH-W-
CHROM

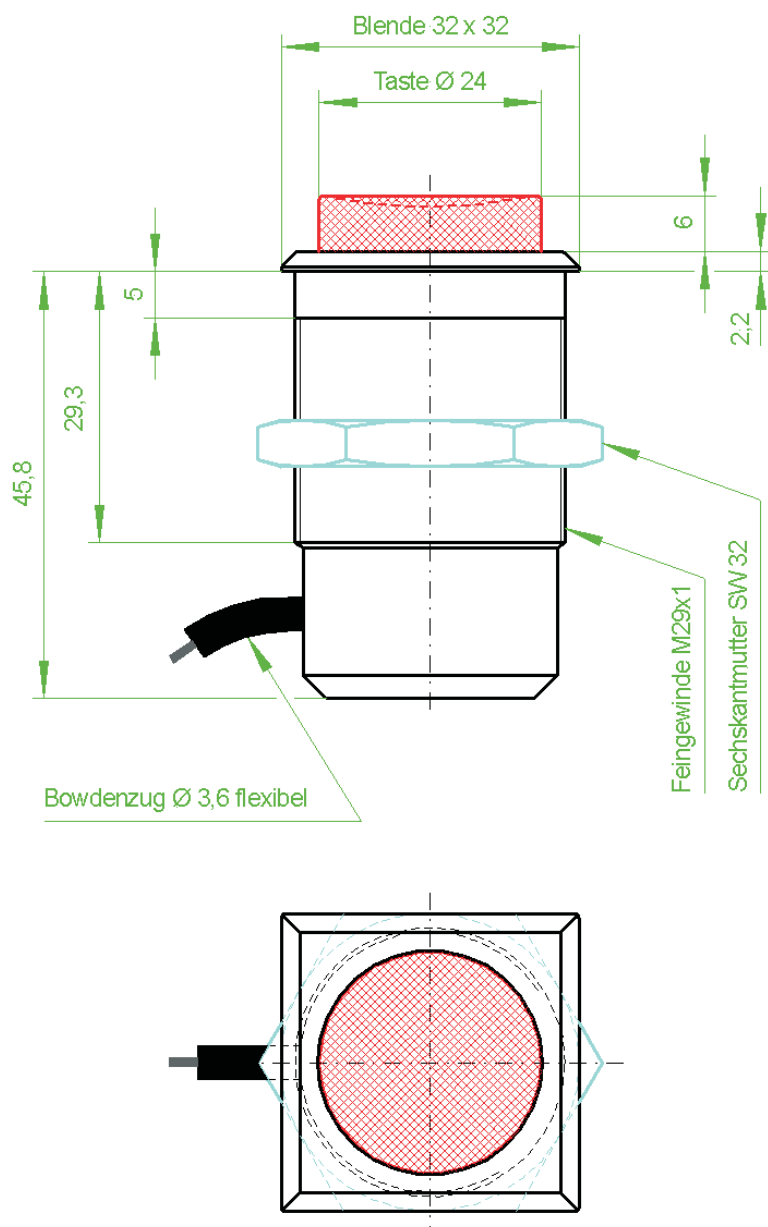


MOUNTING DIMENSIONS EBT-322924F-W



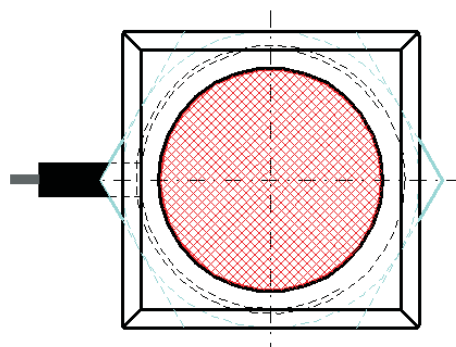
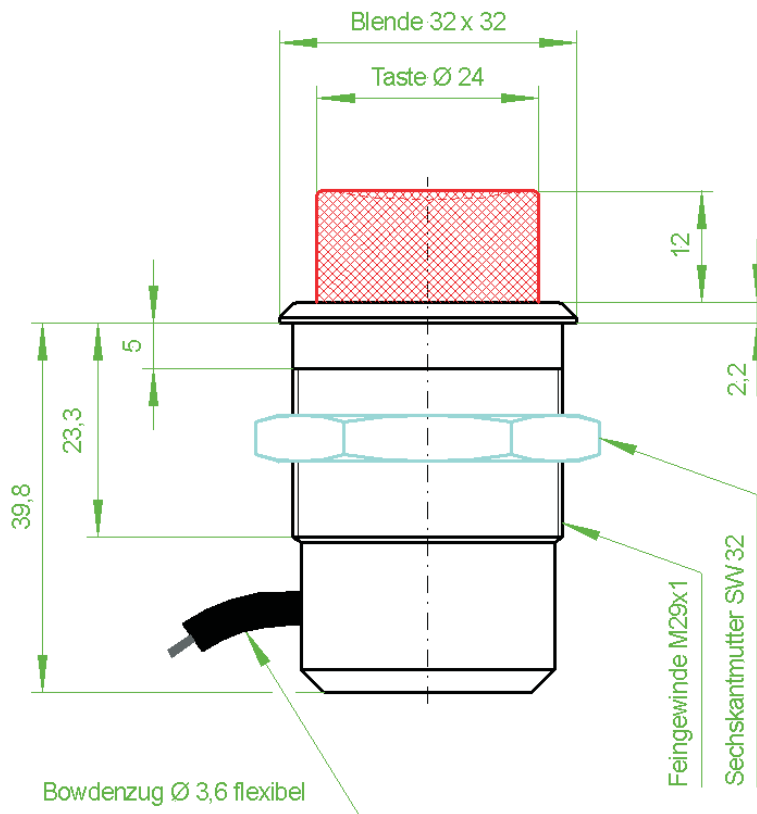
dimensions in mm / we reserve the right to make modifications

MOUNTING DIMENSIONS EBT-322924HH-W



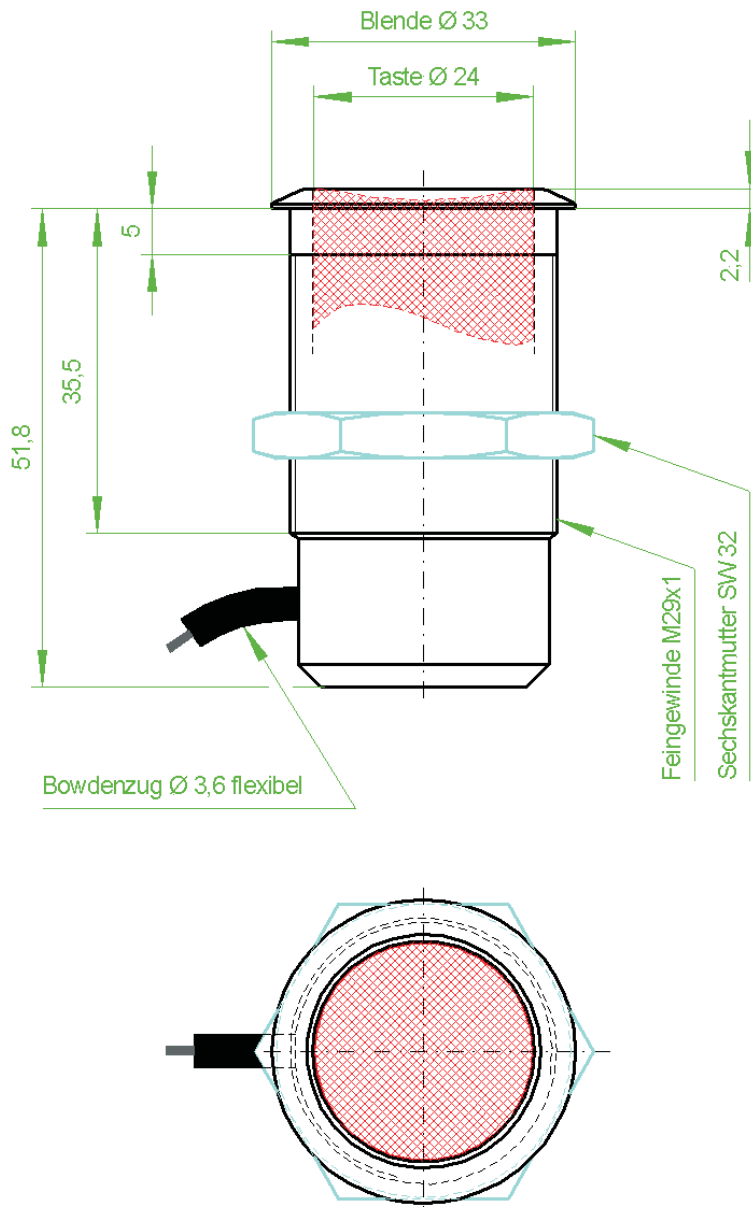
dimensions in mm / we reserve the right to make modifications

MOUNTING DIMENSIONS EBT-322924H-W



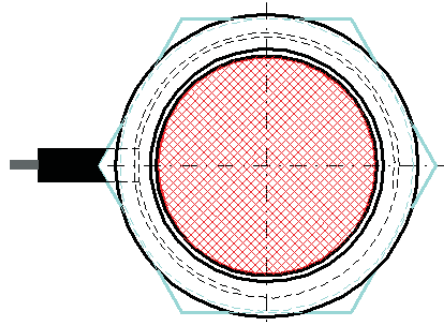
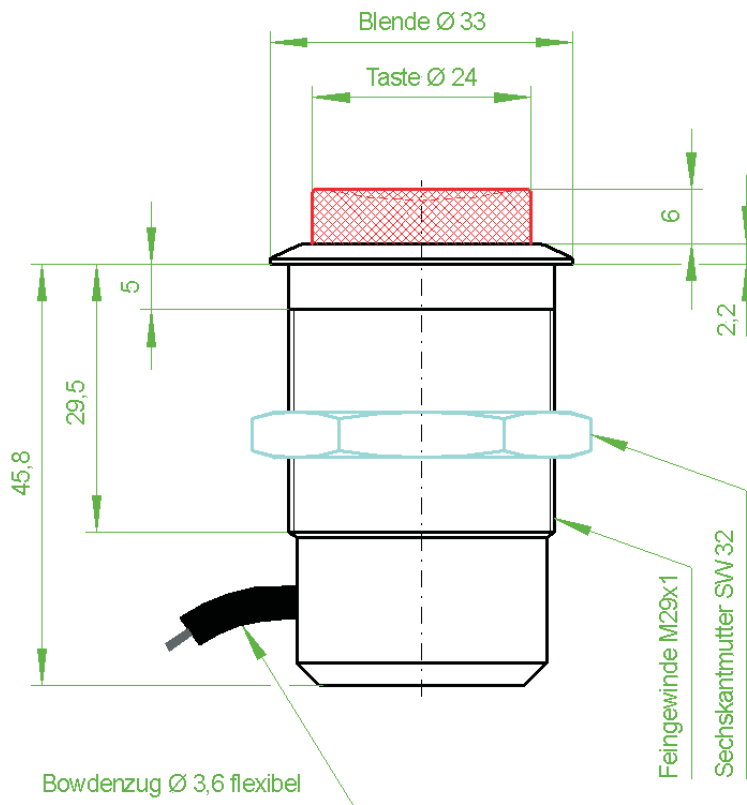
dimensions in mm / we reserve the right to make modifications

MOUNTING DIMENSIONS EBT-332924F-W



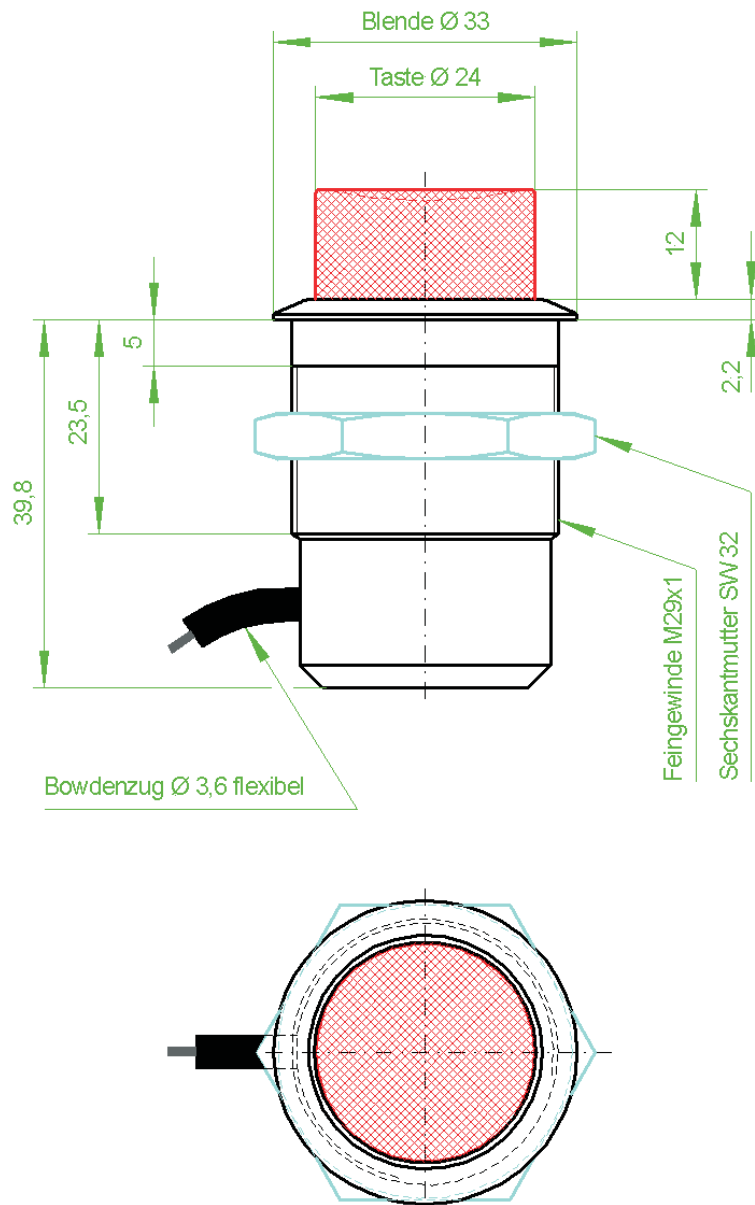
dimensions in mm / we reserve the right to make modifications

MOUNTING DIMENSIONS EBT-332924HH-W



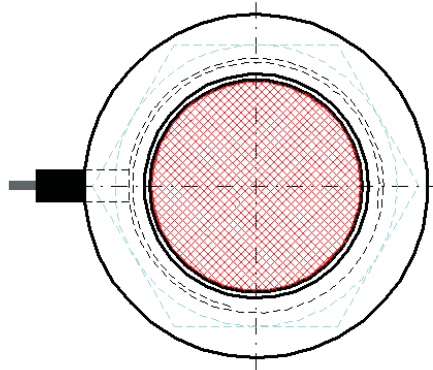
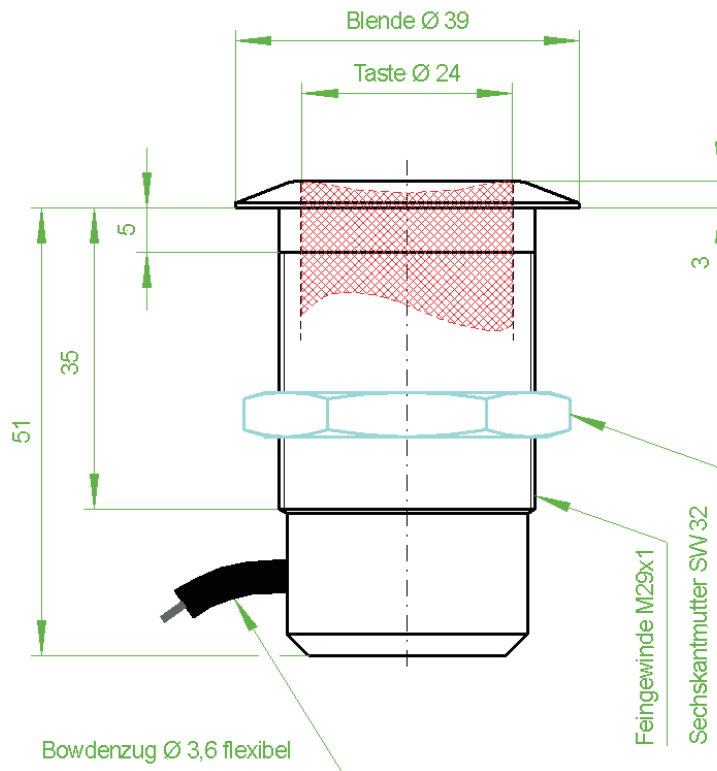
dimensions in mm / we reserve the right to make modifications

MOUNTING DIMENSIONS EBT-332924H-W



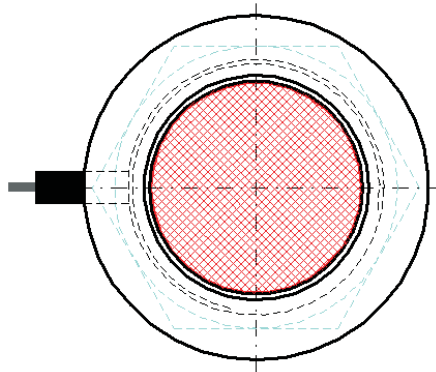
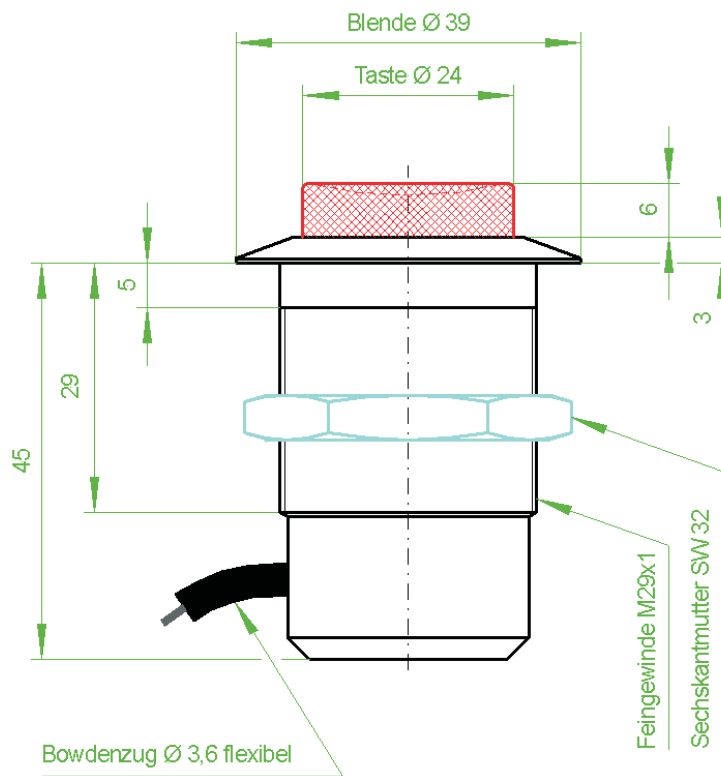
dimensions in mm / we reserve the right to make modifications

MOUNTING DIMENSIONS EBT-392924F-W



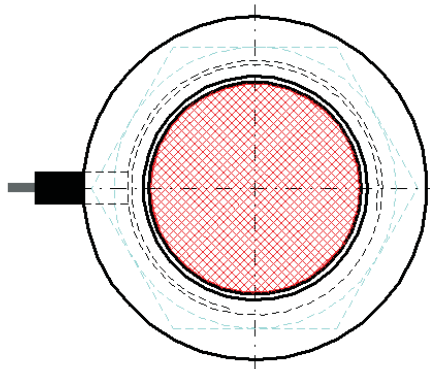
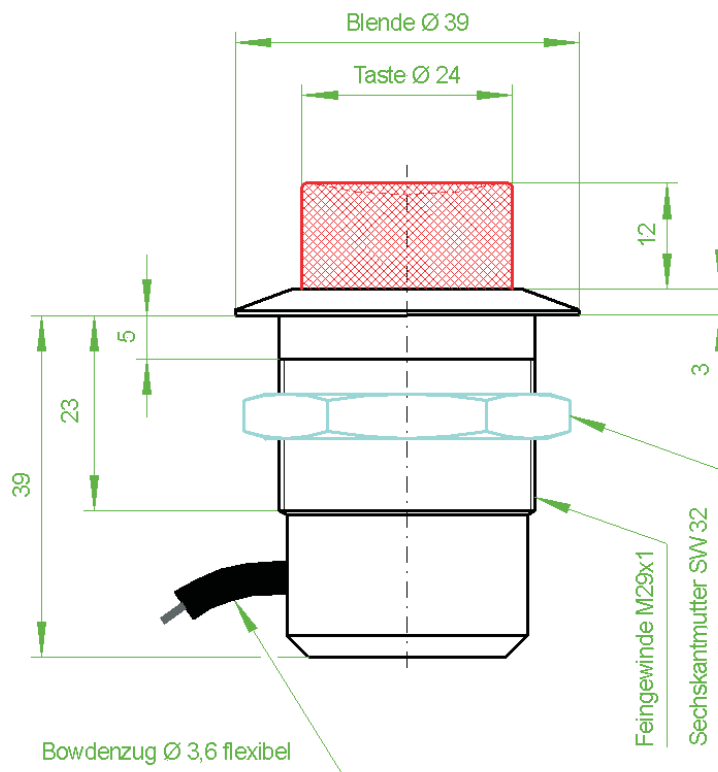
dimensions in mm / we reserve the right to make modifications

MOUNTING DIMENSIONS EBT-392924HH-W



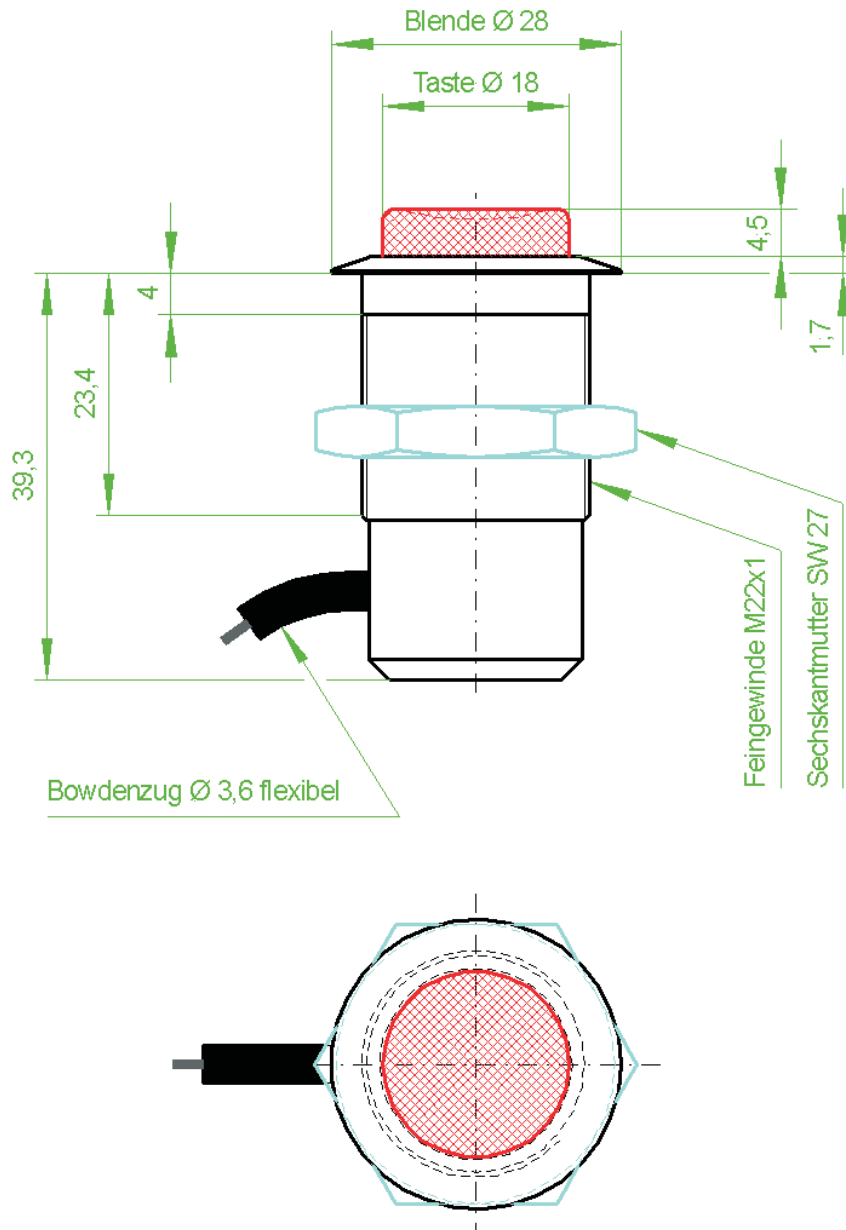
dimensions in mm / we reserve the right to make modifications

MOUNTING DIMENSIONS EBT-392924H-W



dimensions in mm / we reserve the right to make modifications

MOUNTING DIMENSIONS EBT-2822 18HH-W



dimensions in mm / we reserve the right to make modifications

SPECIAL BUILT-IN PUSHBUTTONS

installation dimensions	: see page 74
material casing/pushbutton	: aluminium/aluminium
colour of casing	: anodized aluminium black or natural, more colours on request
colour of pushbutton	: anodized aluminium: black or natural, more colours on request
distance to actuate	: 11 mm
transmission	: 1:1
controllable gas springs	: 1
max. cable force	
on pushbutton	: 800 gramme
length of bowden wire	: 25/50/75/100/125/150 cm

order description: EBT-252017H-M4

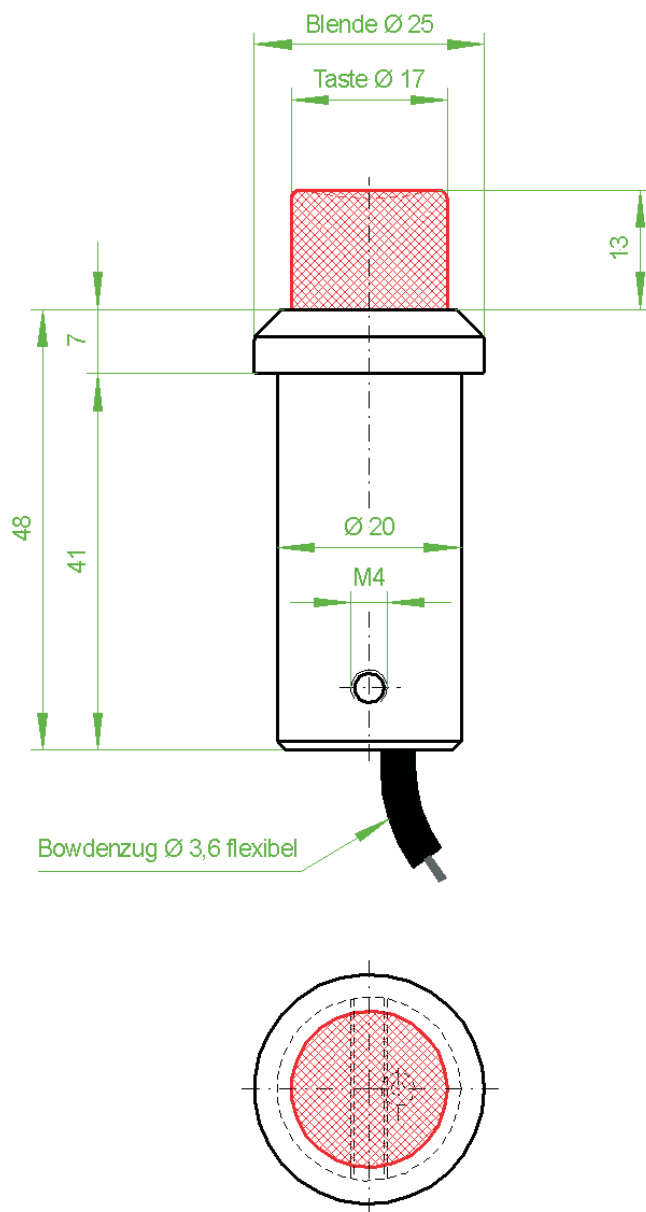


installation dimensions	: see page 75
material casing/pushbutton	: aluminium/aluminium
colour of casing	: anodized aluminium black or natural, more colours on request
colour of pushbutton	: anodized aluminium: black or natural, more colours on request
distance to actuate	: 11 mm
transmission	: 1:2
controllable gas springs	: 1
max. cable force	
on pushbutton	: 400 gramme
length of bowden wire	: 25/50/75/100/125/150 cm

order description: EBT-282230HH-W

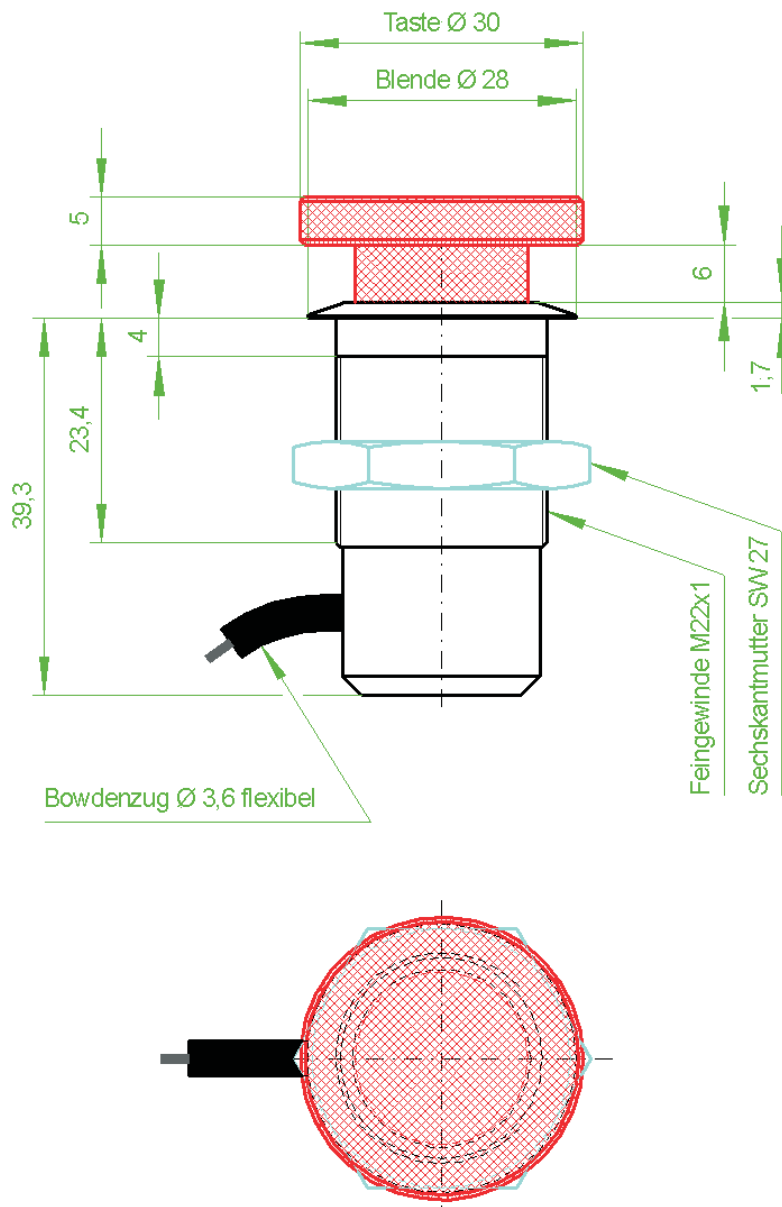


MOUNTING DIMENSIONS EBT-252017H-M4



dimensions in mm / we reserve the right to make modifications

MOUNTING DIMENSIONS EBT-282230HH-W

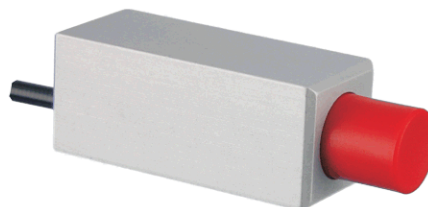


dimensions in mm / we reserve the right to make modifications

EXTERNAL PUSHBUTTONS

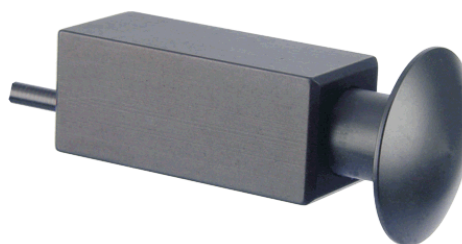
installation dimensions : [see page 78](#)
material casing/pushbutton : aluminium/plastic
exclusive model : aluminium/aluminium
colour of casing : anodized aluminium
black or natural,
more colours on request
colour of pushbutton : black, red, white
more colours on request
exclusive model : anodized aluminium
black or natural,
more colours on request
distance to actuate : 11 mm
transmission : 1:1
controllable gas springs : 1
max. cable force
on pushbutton : 800 gramme
length of bowden wire : 25/50/75/100/125/150 cm

order description: ABT-202013H



installation dimensions : [see page 79](#)
material casing/pushbutton : aluminium/plastic
exclusive model : aluminium/aluminium
colour of casing : anodized aluminium
black or natural,
more colours on request
colour of pushbutton : black, red, white
more colours on request
exclusive model : anodized aluminium
black or natural,
more colours on request
distance to actuate : 11 mm
transmission : 1:1
controllable gas springs : 1
max. cable force
on pushbutton : 800 gramme
length of bowden wire : 25/50/75/100/125/150 cm

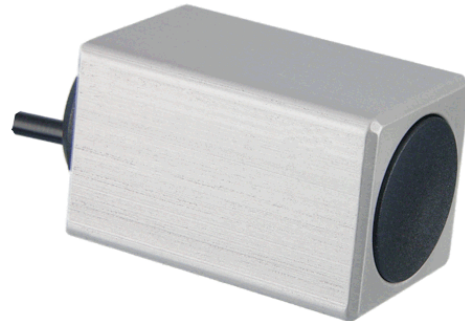
order description: ABT-202030P



EXTERNAL PUSHBUTTONS

installation dimensions : [see page 80](#)
material casing/pushbutton : aluminium/plastic
exclusive model : aluminium/aluminium
colour of casing : anodized aluminium
black or natural,
more colours on request
colour of pushbutton : black, red, white
more colours on request
exclusive model : anodized aluminium
black or natural,
more colours on request
distance to actuate : 11 mm
transmission : 1:1
controllable gas springs : 1
max. cable force
on pushbutton : 800 gramme
length of bowden wire : 25/50/75/100/125/150 cm

order description: ABT-303024F



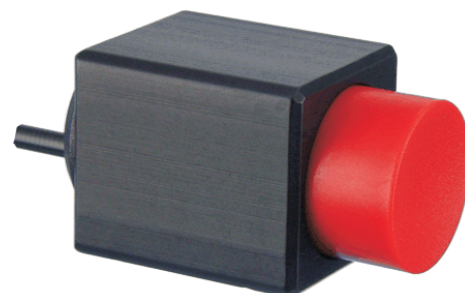
installation dimensions : [see page 81](#)
material casing/pushbutton : aluminium/plastic
exclusive model : aluminium/aluminium
colour of casing : anodized aluminium
black or natural,
more colours on request
colour of pushbutton : black, red, white
more colours on request
exclusive model : anodized aluminium
black or natural,
more colours on request
distance to actuate : 11 mm
transmission : 1:1
controllable gas springs : 1
max. cable force
on pushbutton : 800 gramme
length of bowden wire : 25/50/75/100/125/150 cm

order description: ABT-303024HH

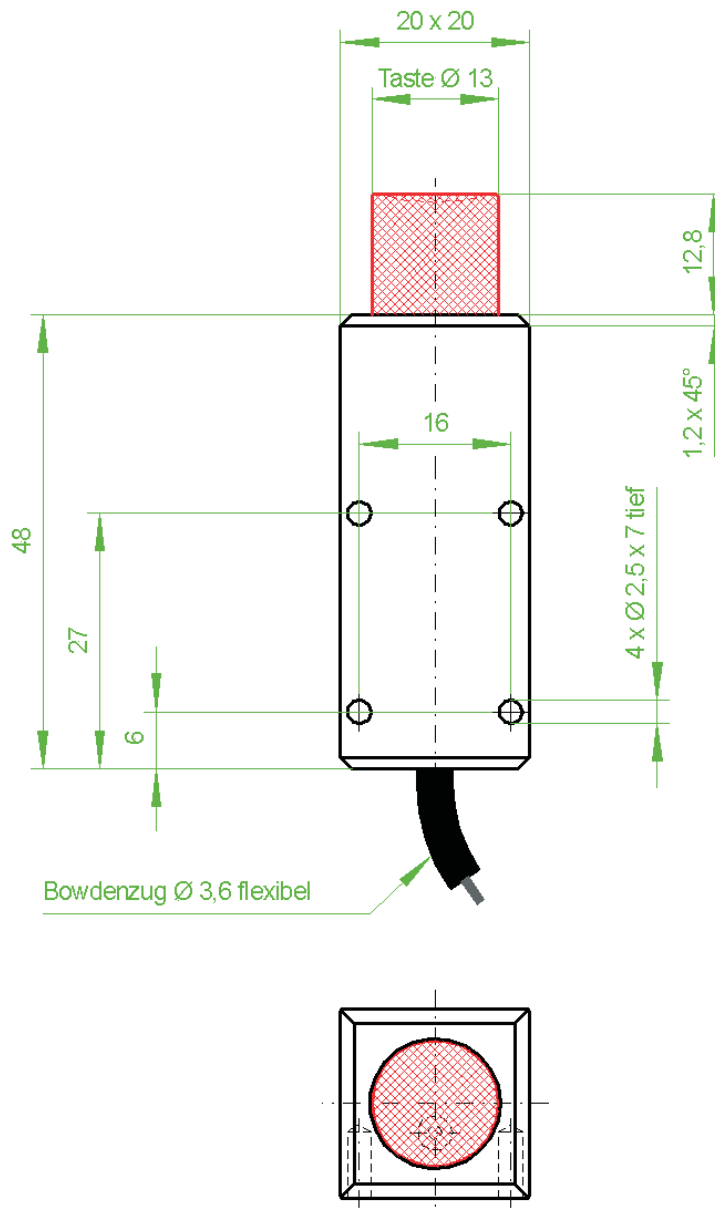


installation dimensions : [see page 82](#)
material casing/pushbutton : aluminium/plastic
exclusive model : aluminium/aluminium
colour of casing : anodized aluminium
black or natural,
more colours on request
colour of pushbutton : black, red, white
more colours on request
exclusive model : anodized aluminium
black or natural,
more colours on request
distance to actuate : 11 mm
transmission : 1:1
controllable gas springs : 1
max. cable force
on pushbutton : 800 gramme
length of bowden wire : 25/50/75/100/125/150 cm

order description: ABT-303024H

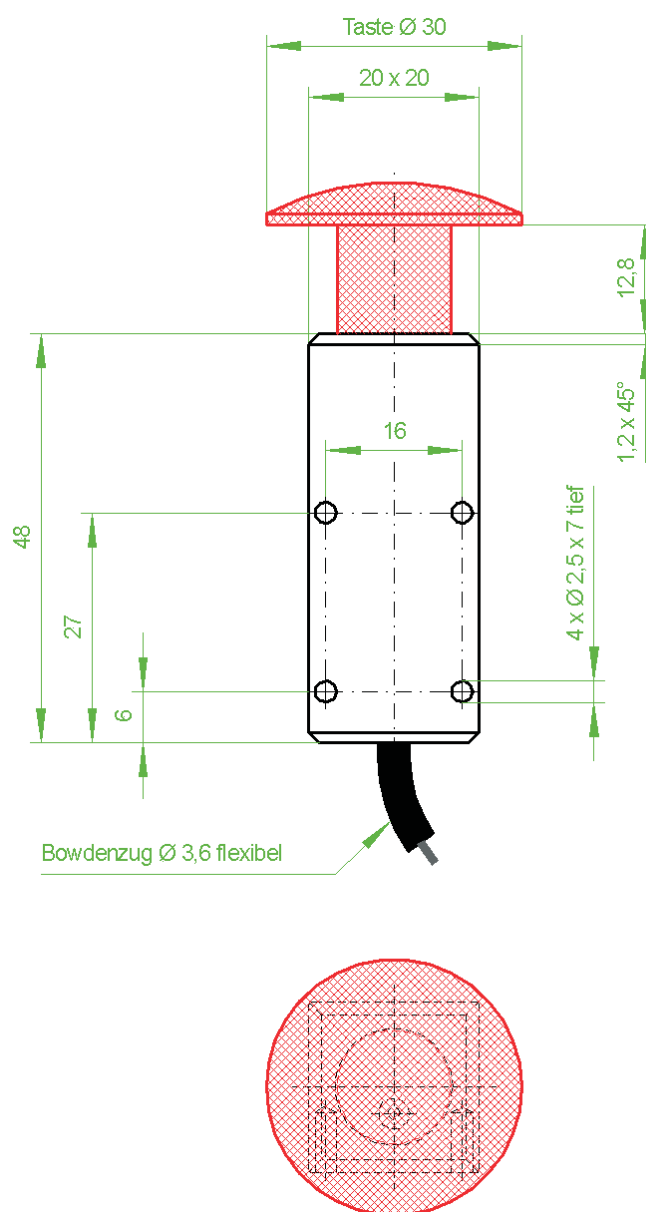


MOUNTING DIMENSIONS ABT-202013H



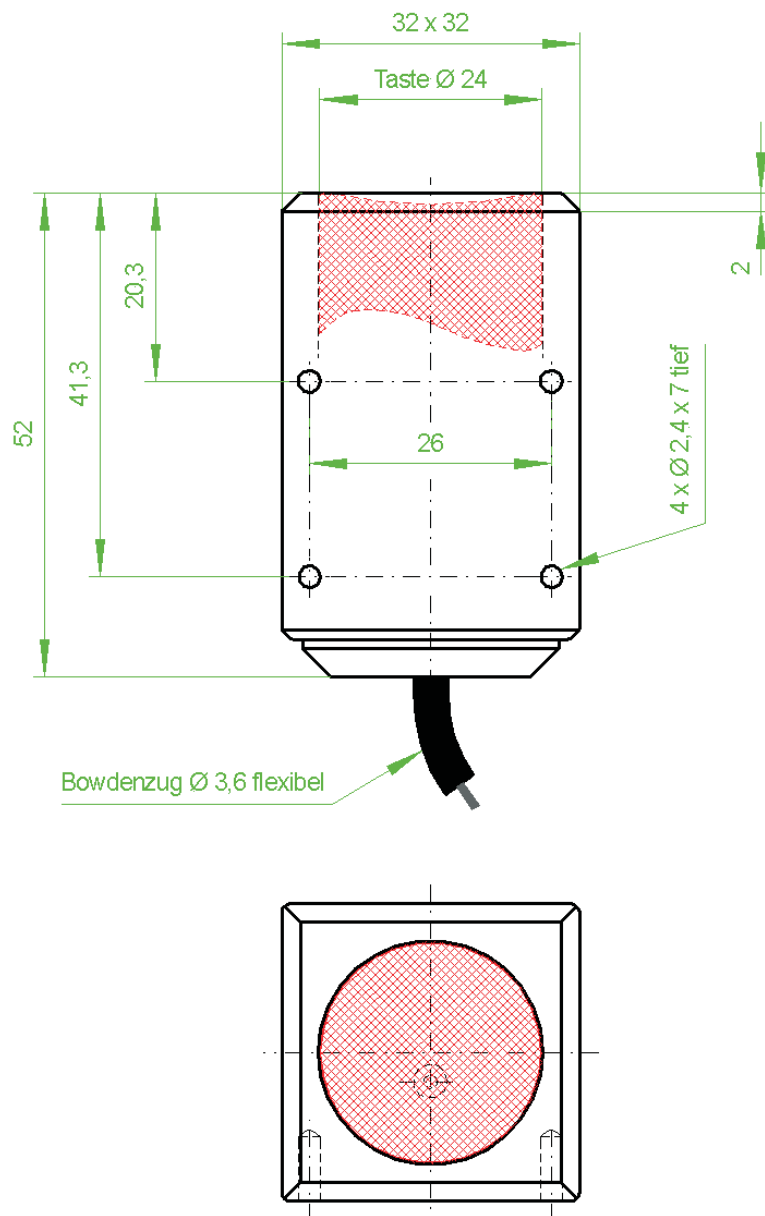
dimensions in mm / we reserve the right to make modifications

MOUNTING DIMENSIONS ABT-202030P



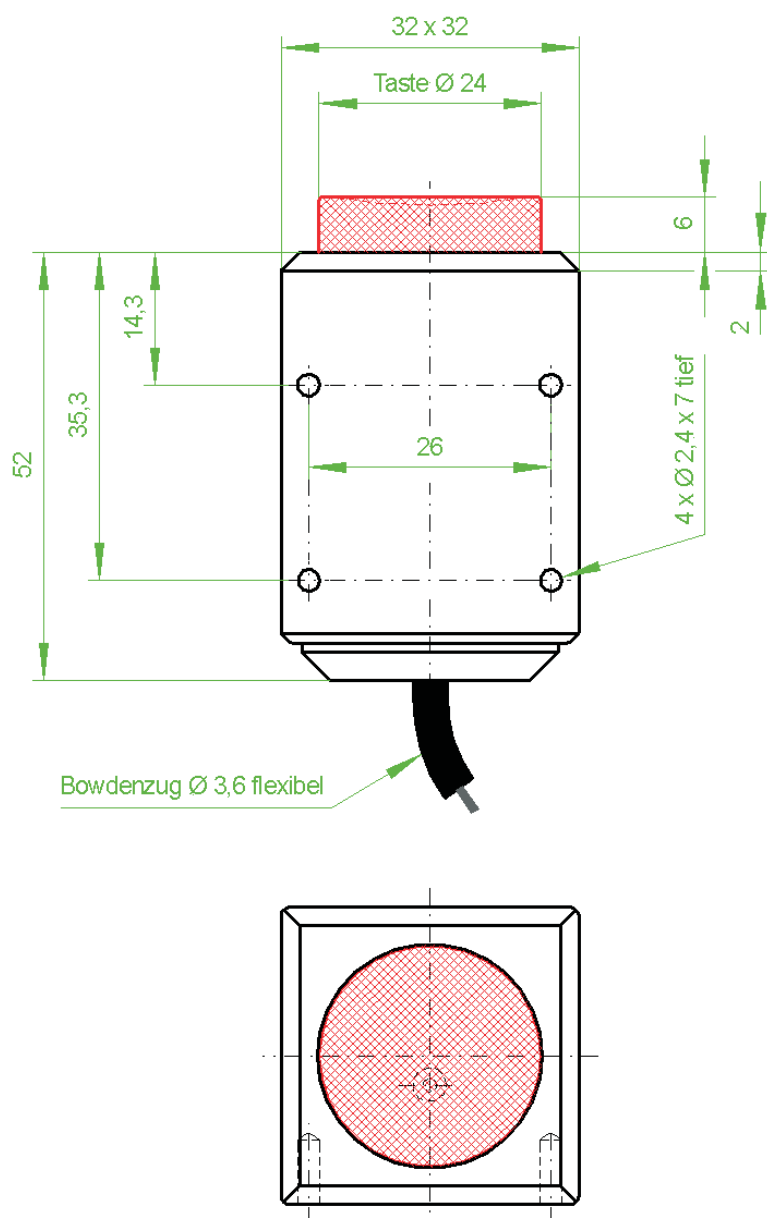
dimensions in mm / we reserve the right to make modifications

MOUNTING DIMENSIONS ABT-303024F



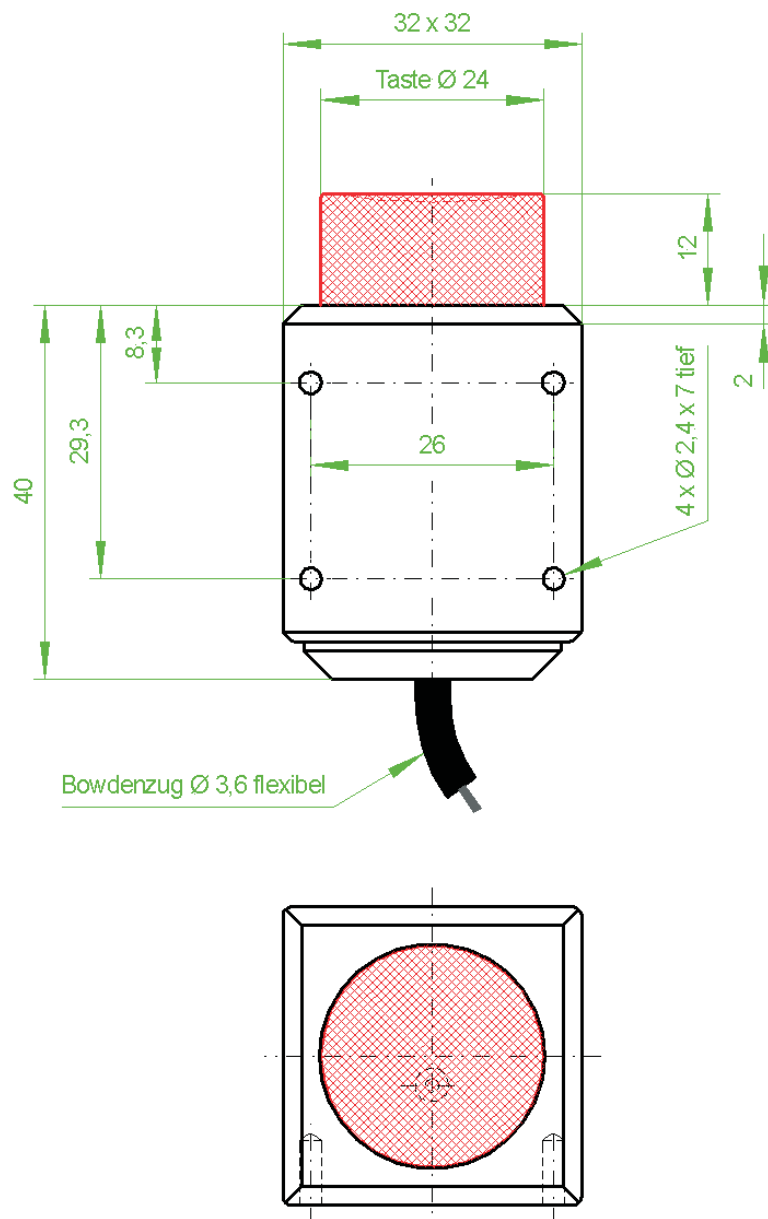
dimensions in mm / we reserve the right to make modifications

MOUNTING DIMENSIONS ABT-303024HH



dimensions in mm / we reserve the right to make modifications

MOUNTING DIMENSIONS ABT-303024H



dimensions in mm / we reserve the right to make modifications

FLAT PUSHBUTTONS

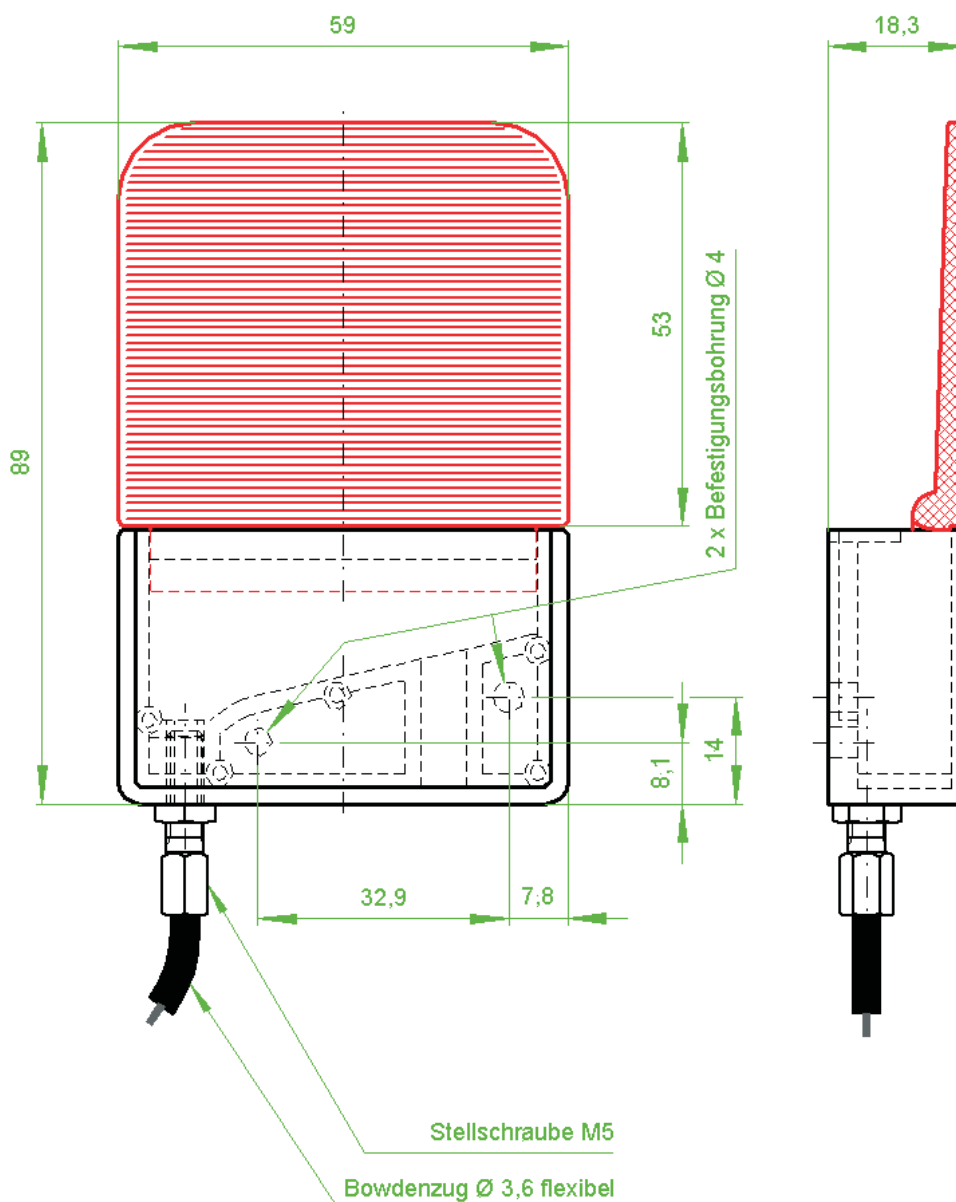
installation dimensions : [see page 84](#)
material casing/pushbutton : plastic/
zinc die casting
colour of casing : see colour table [page 111](#)
more colours on request
colour of pushbutton : see colour table [page 111](#)
more colours on request
distance to actuate : 11 mm
transmission : 1:1
Controllable gas springs : 1
max. Cable force on pushbutton : 1300 gramme
length of bowden wire : 25/50/75/100/125/150 cm

order description: FLT-895918



FLAT PUSHBUTTONS

MOUNTING DIMENSIONS FLT-895918



dimensions in mm / we reserve the right to make modifications

REMOTE RELEASE PUSHBUTTONS

installation dimensions : [see page 86](#)
material casing/pushbutton : plastic/plastic
exclusive model : plastic/aluminium
colour of casing : anodized aluminium
black or natural,
more colours on request
colour of pushbutton : black, red, white
more colours on request
exclusive model : anodized aluminium
black or natural,
more colours on request
distance to actuate : 11 mm
transmission : 1:1
controllable gas springs : 1
max. cable force
on pushbutton : 800 gramme
length of bowden wire : 25/50/75/100/125/150 cm

installation dimensions : [see page 87](#)
material casing/pushbutton : plastic/plastic
exclusive model : plastic/aluminium
colour of casing : anodized aluminium
black or natural,
more colours on request
colour of pushbutton : black, red, white
more colours on request
exclusive model : anodized aluminium
black or natural,
more colours on request
distance to actuate : 11 mm
transmission : 1:1
controllable gas springs : 1
max. cable force
on pushbutton : 800 gramme
length of bowden wire : 25/50/75/100/125/150 cm

installation dimensions : [see page 88](#)
material casing/pushbutton : plastic/plastic
exclusive model : plastic/aluminium
colour of casing : anodized aluminium
black or natural,
more colours on request
colour of pushbutton : black, red, white
more colours on request
exclusive model : anodized aluminium
black or natural,
more colours on request
distance to actuate : 11 mm
transmission : 1:1
controllable gas springs : 1
max. cable force
on pushbutton : 800 gramme
length of bowden wire : 25/50/75/100/125/150 cm

order description: FA-MINI



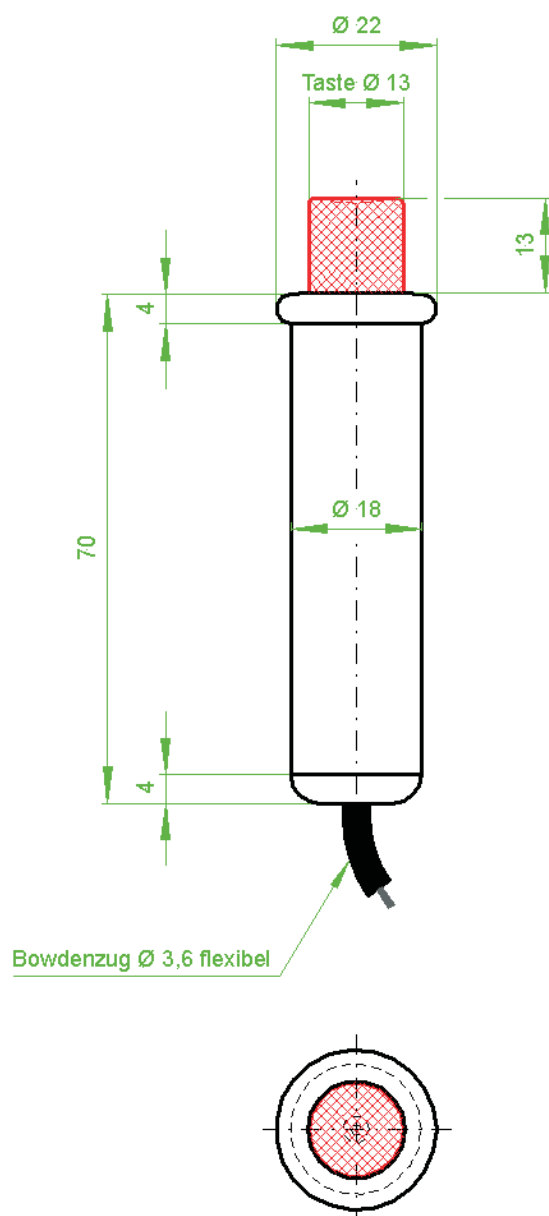
order description: FA-ECO



order description: FA-ST

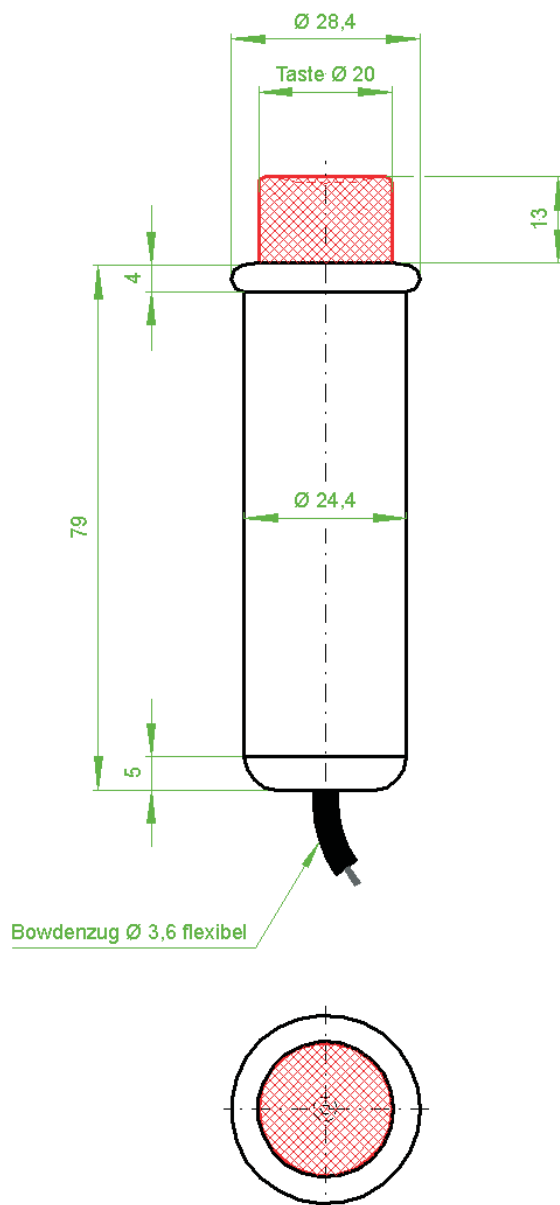


DIMENSIONS FA-MINI



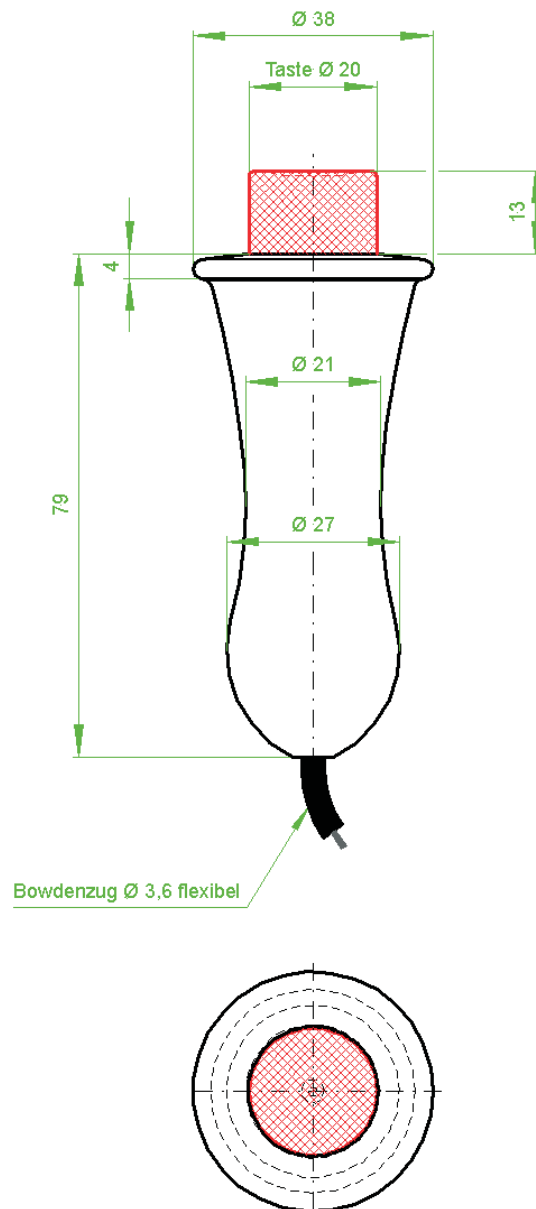
dimensions in mm / we reserve the right to make modifications

DIMENSIONS FA-ECO



dimensions in mm / we reserve the right to make modifications

DIMENSIONS FA-ST



dimensions in mm / we reserve the right to make modifications

installation dimensions : [see page 90](#)
 material casing/pushbutton : plastic/plastic
 colour of casing : see colour tables [page 111](#)
 more colours on request
 colour of pushbutton : see colour tables [page 111](#)
 more colours on request
 distance to actuate : 11 mm
 transmission : 1:1
 controllable gas springs : max. 3
 max. cable force
 on pushbutton : 1500 gramme
 length of bowden wire : 25/50/75/100/125/150 cm

order description: TB-50342400 -1GA
 -2GA
 -3GA



installation dimensions : [see page 91](#)
 material casing/pushbutton : plastic/plastic
 colour of casing : see colour tables [page 111](#)
 more colours on request
 colour of pushbutton : see colour tables [page 111](#)
 more colours on request
 distance to actuate : 11 mm
 transmission : 1:1
 controllable gas springs : max. 3
 max. cable force
 on pushbutton : 1500 gramme
 length of bowden wire : 25/50/75/100/125/150 cm

order description: TB-50346444 -1GA
 -2GA
 -3GA

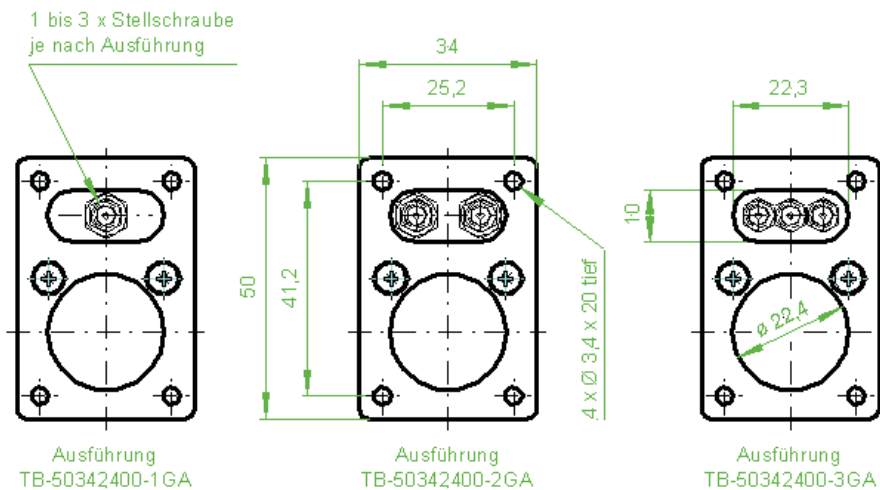
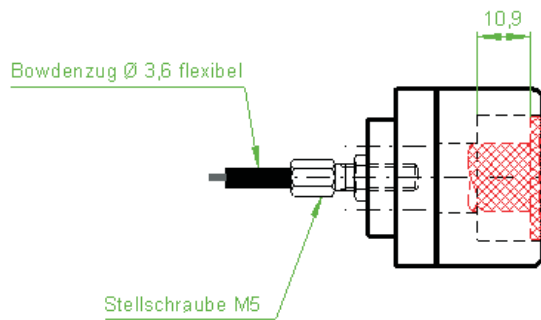
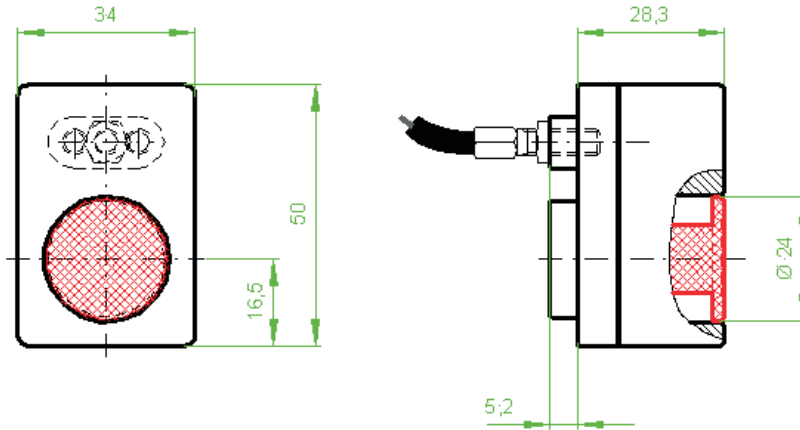


installation dimensions : [see page 92](#)
 material casing/pushbutton : plastic/plastic
 colour of casing : see colour tables [page 111](#)
 more colours on request
 colour of pushbutton : see colour tables [page 111](#)
 more colours on request
 distance to actuate : 11 mm
 transmission : 1:1
 controllable gas springs : max. 3
 max. Cable force
 on pushbutton : 1500 gramme
 length of bowden wire : 25/50/75/100/125/150 cm

order description: TB-50346464 -1GA
 -2GA
 -3GA

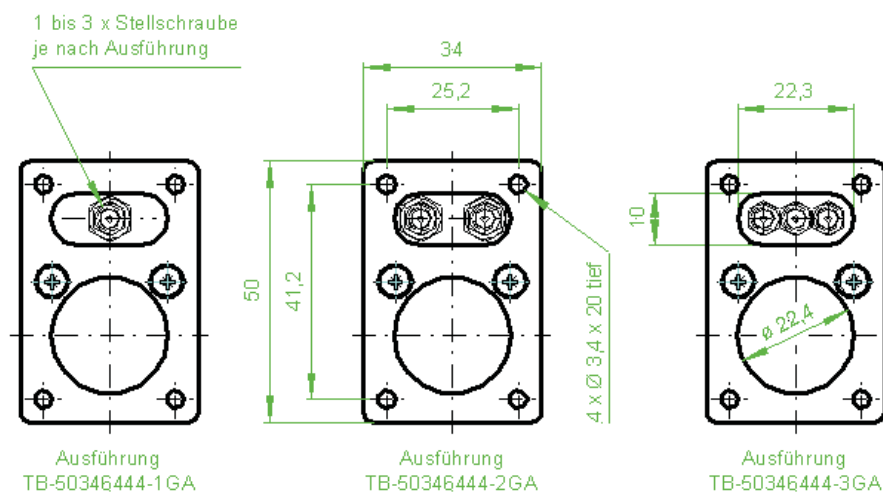
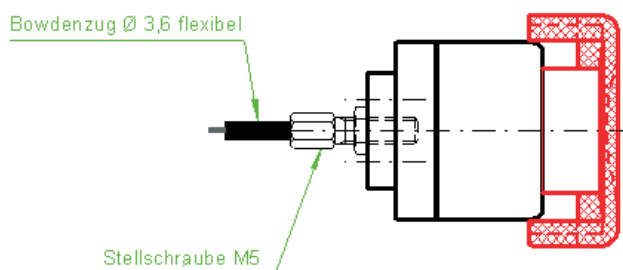
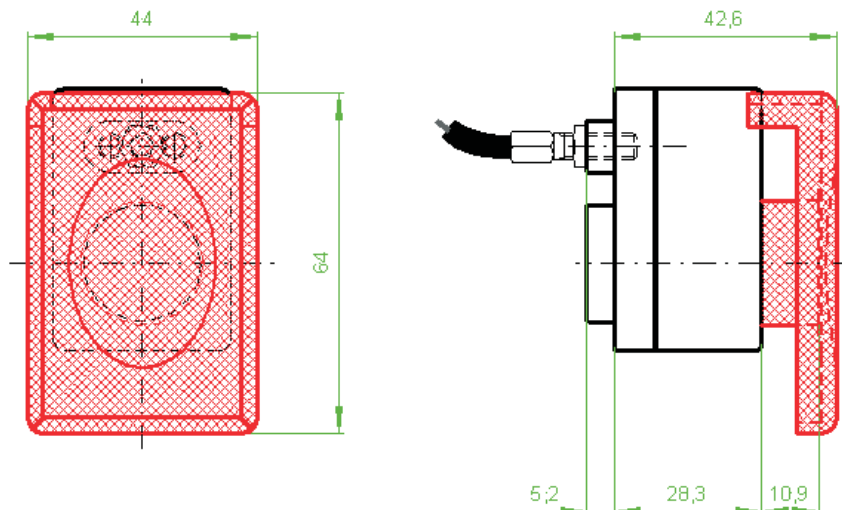


MOUNTING DIMENSIONS TB-50342400



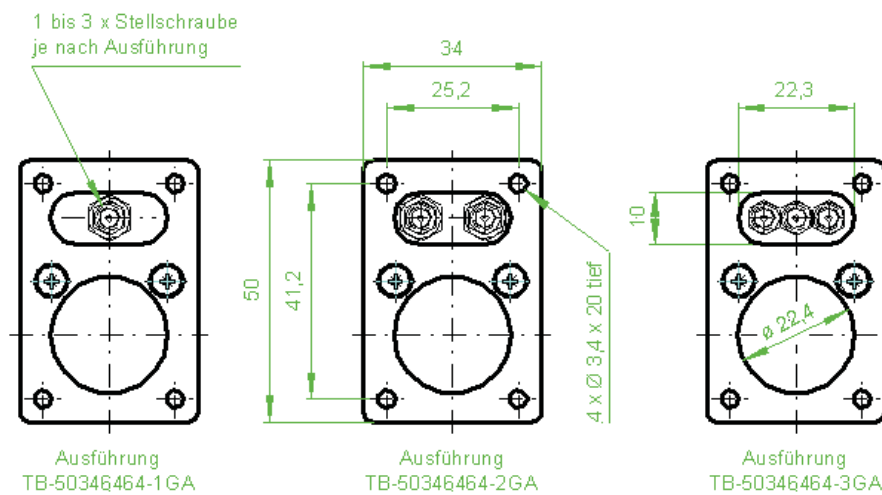
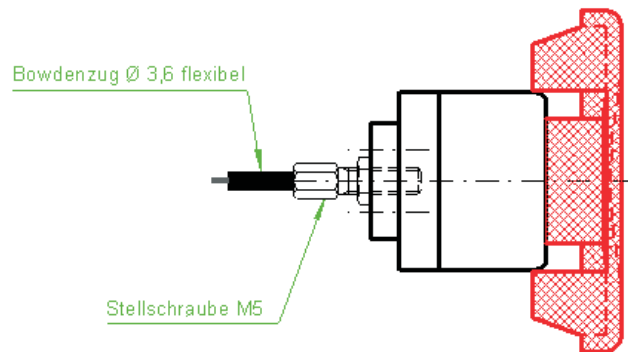
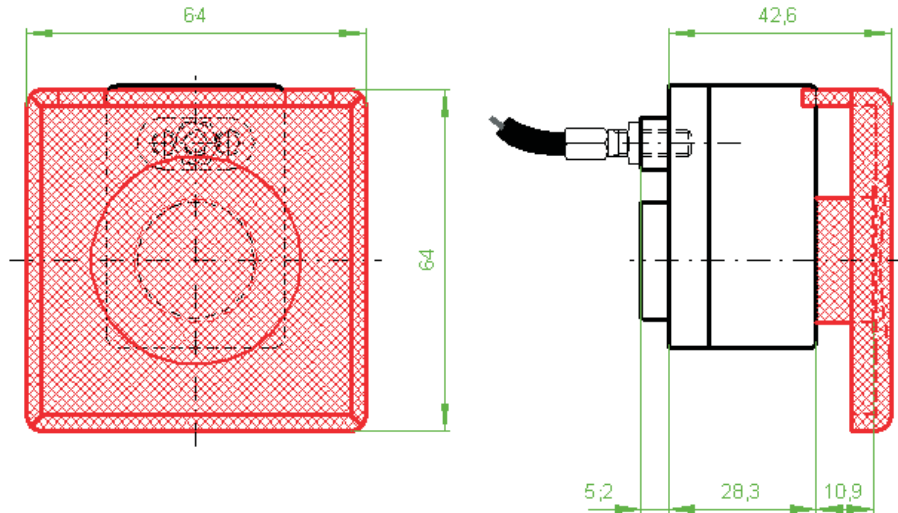
dimensions in mm / we reserve the right to make modifications

MOUNTING DIMENSIONS TB-50346444



dimensions in mm / we reserve the right to make modifications

MOUNTING DIMENSIONS TB-50346464



dimensions in mm / we reserve the right to make modifications

BOWDEN CABLE SPLITTER

dimensions : [see page 95](#)
 material : plastic
 colour : black
 max. wire length : 15mm
 connection : M5

order description: BZW-552616-1E1A



possibilities :
 1 pushbutton 1 Gas spring

dimensions : [see page 96](#)
 material : plastic
 colour : black
 max. wire length : 15mm
 connection : M5

order description: BZW-552616 -1E2A
 -2E1A



possibilities :
 1 pushbutton 2 Gas springs
 alternative
 2 pushbuttons 1 Gas spring

dimensions : [see page 97](#)
 material : plastic
 colour : black
 max. wire length : 15mm
 connection : M5

order description: BZW-552616 -1E3A
 -3E1A



possibilities :
 1 pushbutton 3 Gas springs
 alternative
 3 pushbuttons 1 Gas spring

BOWDEN CABLE SPLITTER

dimensions : [see page 98](#)
 material : plastic
 colour : black
 max. wire length : 15mm
 connection : M5

order description: BZW-552616-2E2A

possibilities :
 2 pushbuttons 2 Gas springs



dimensions : [see page 99](#)
 material : plastic
 colour : black
 max. wire length : 15mm
 connection : M5

order description: BZW-552616 -2E3A
 -3E2A

possibilities :
 2 pushbuttons 3 Gas springs
 alternative
 3 pushbuttons 2 Gas springs



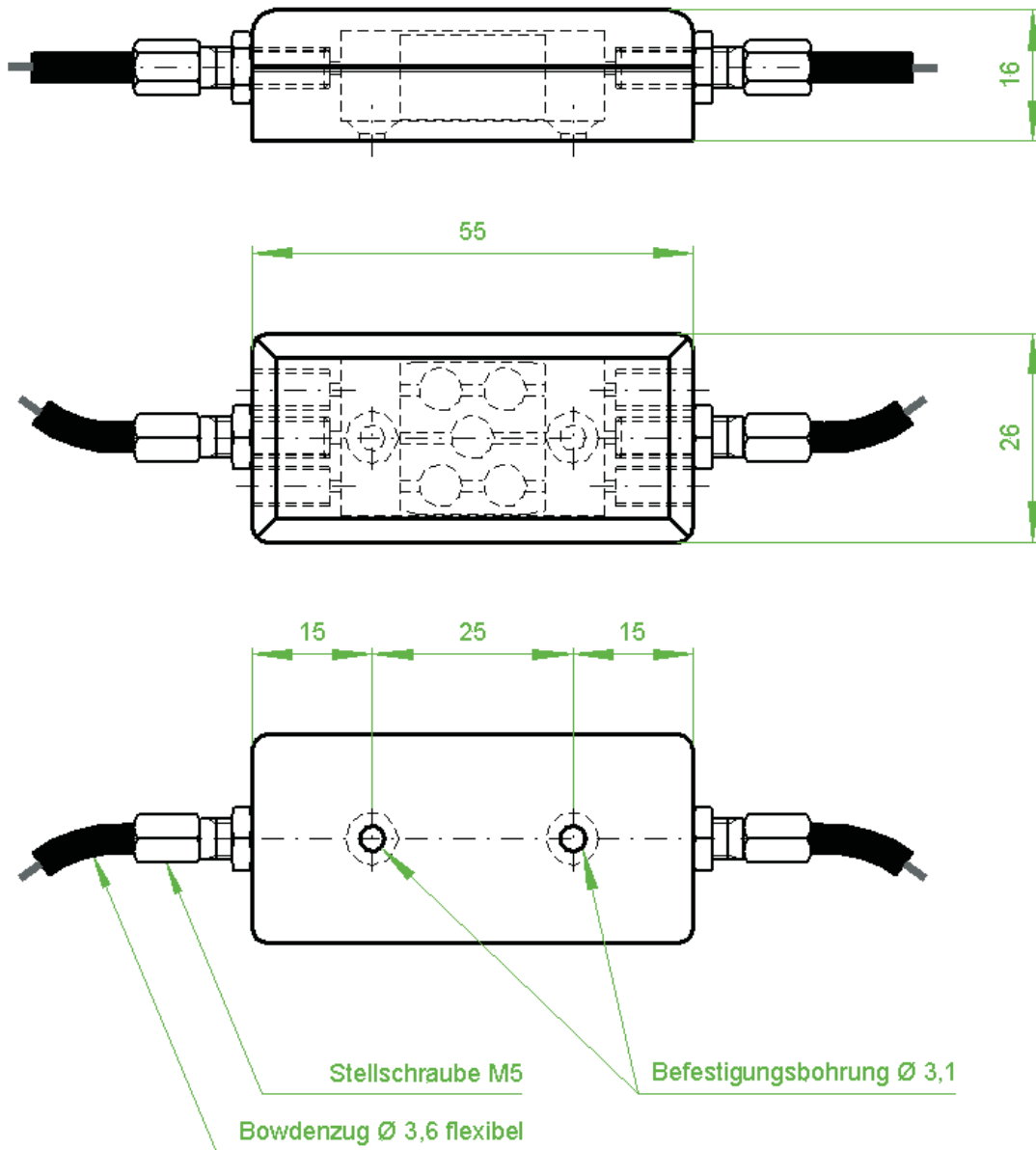
dimensions : [see page 100](#)
 material : plastic
 colour : black
 max. wire length : 15mm
 connection : M5

order description: BZW-552616 -3E3A

possibilities :
 3 pushbuttons 3 Gas springs

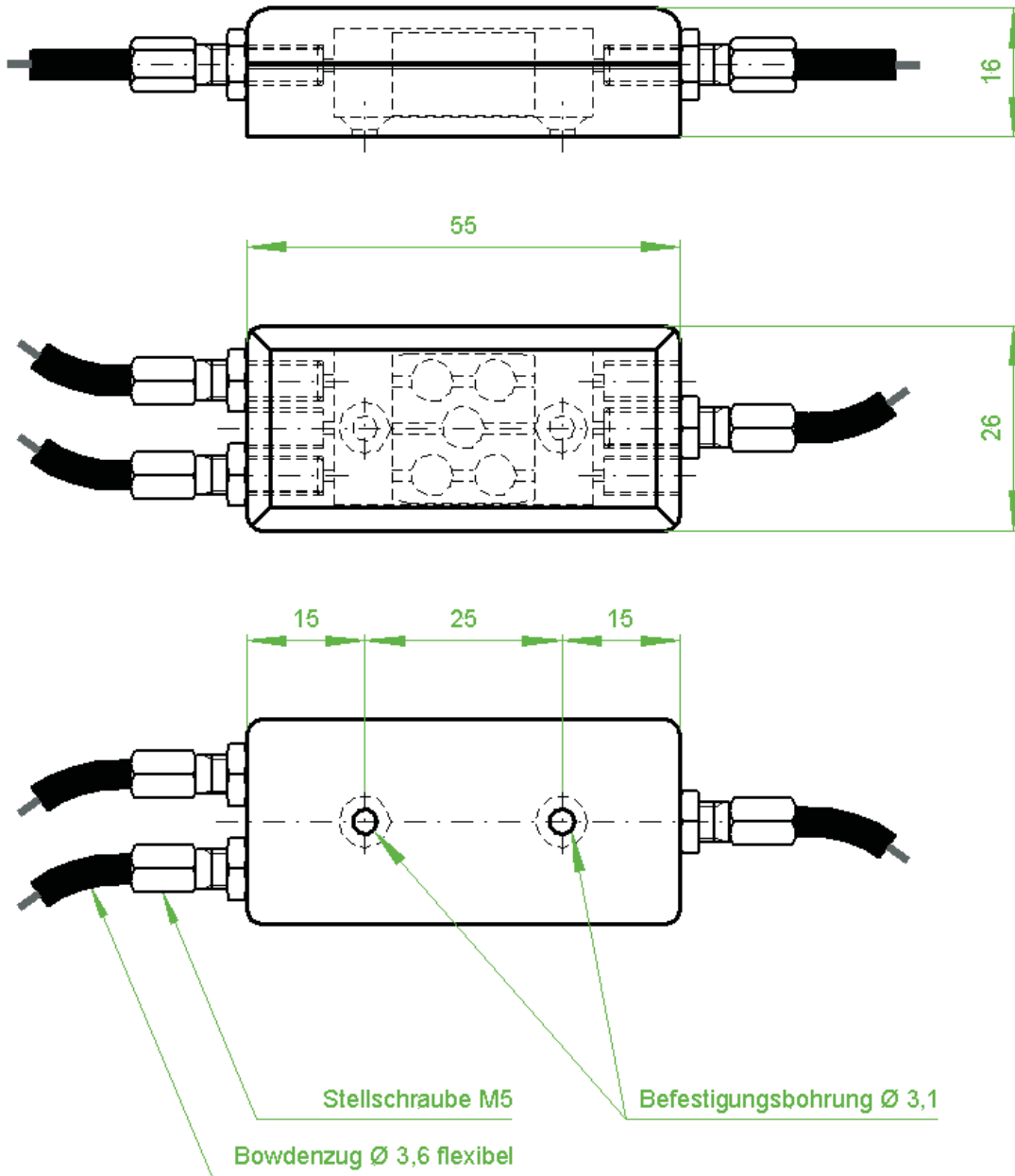


MOUNTING DIMENSIONS BZW-552616-1E1A



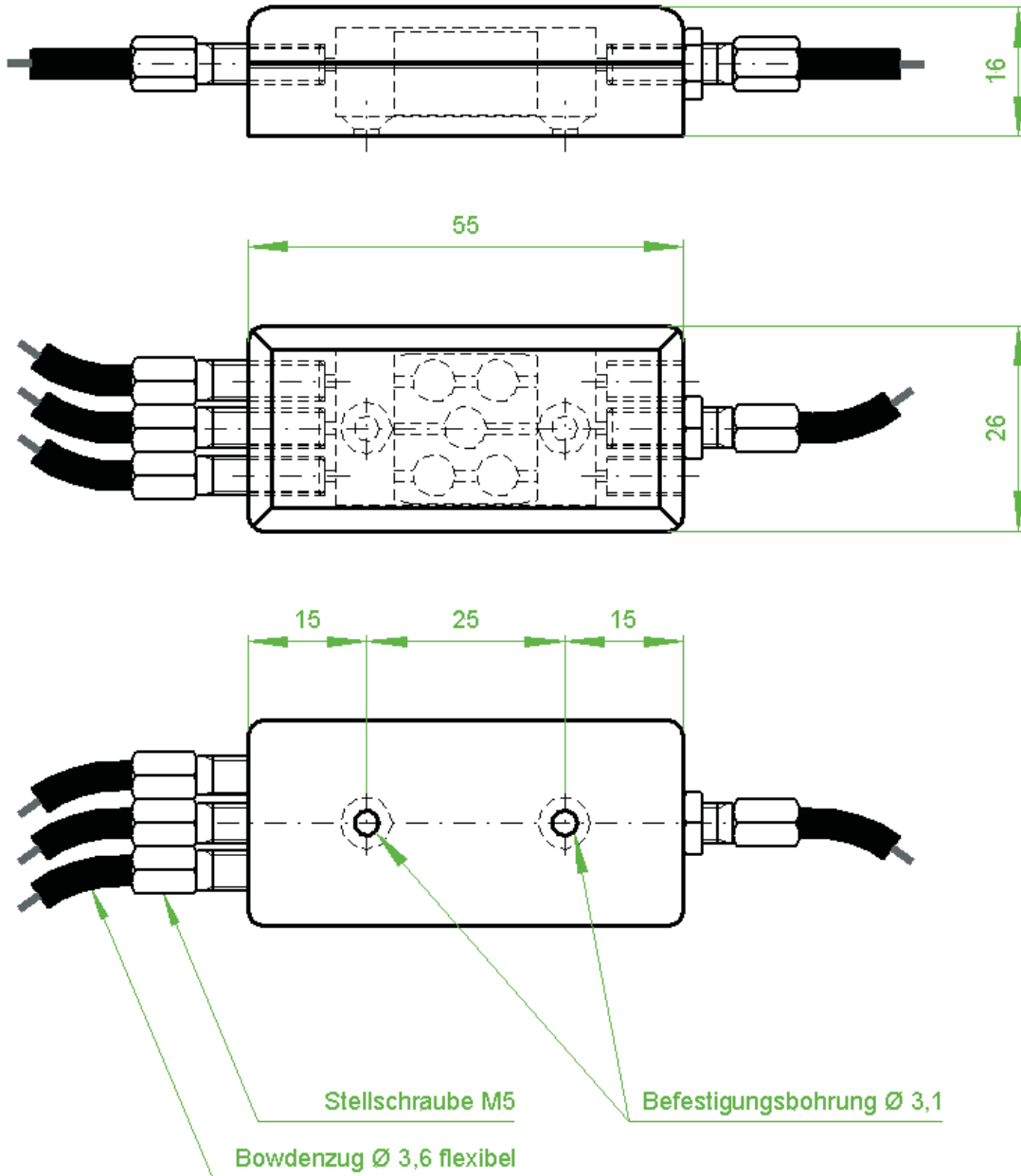
dimensions in mm / we reserve the right to make modifications

MOUNTING DIMENSIONS BZW-552616-1E2A



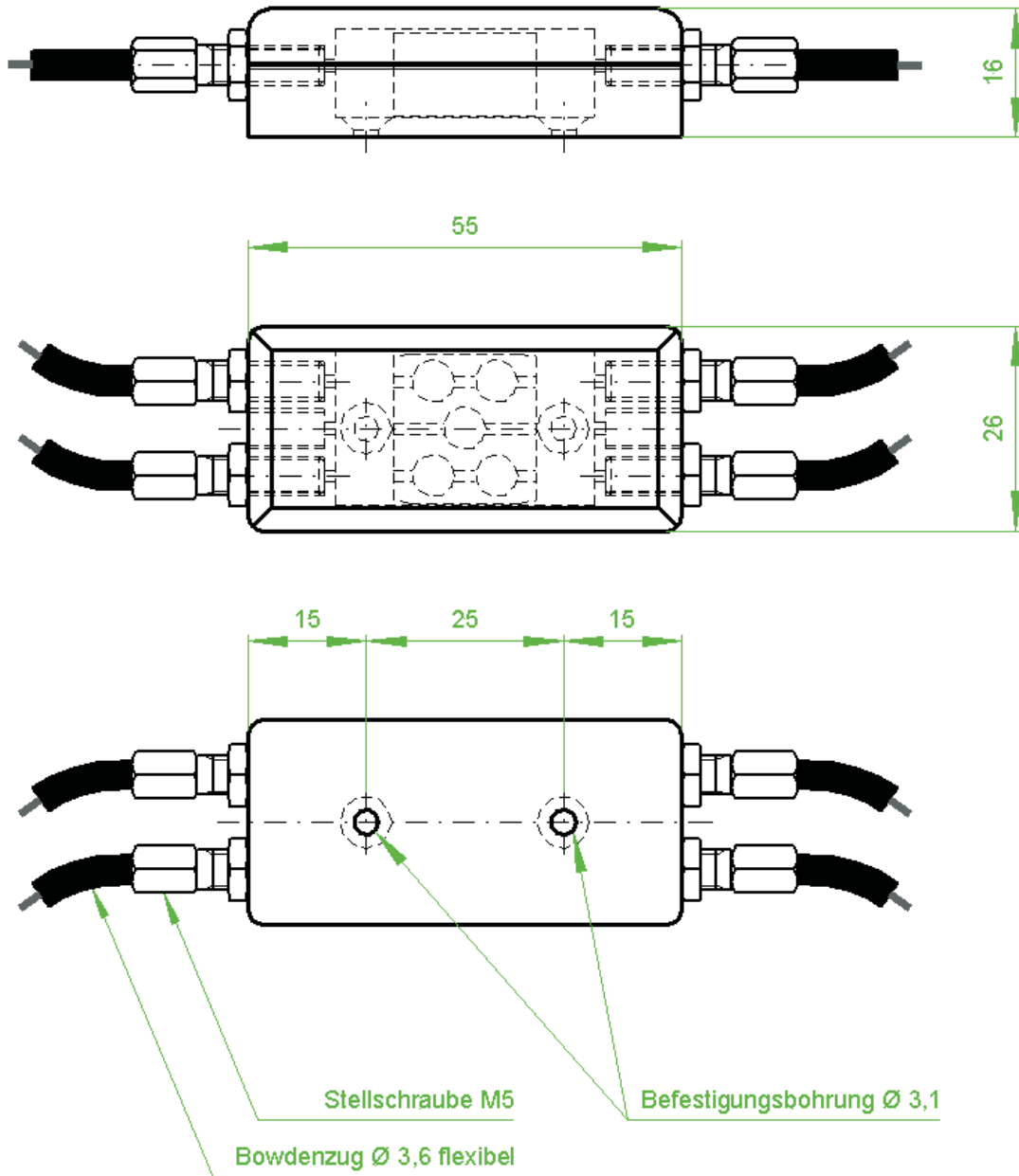
dimensions in mm / we reserve the right to make modifications

MOUNTING DIMENSIONS BZW-552616-1E3A



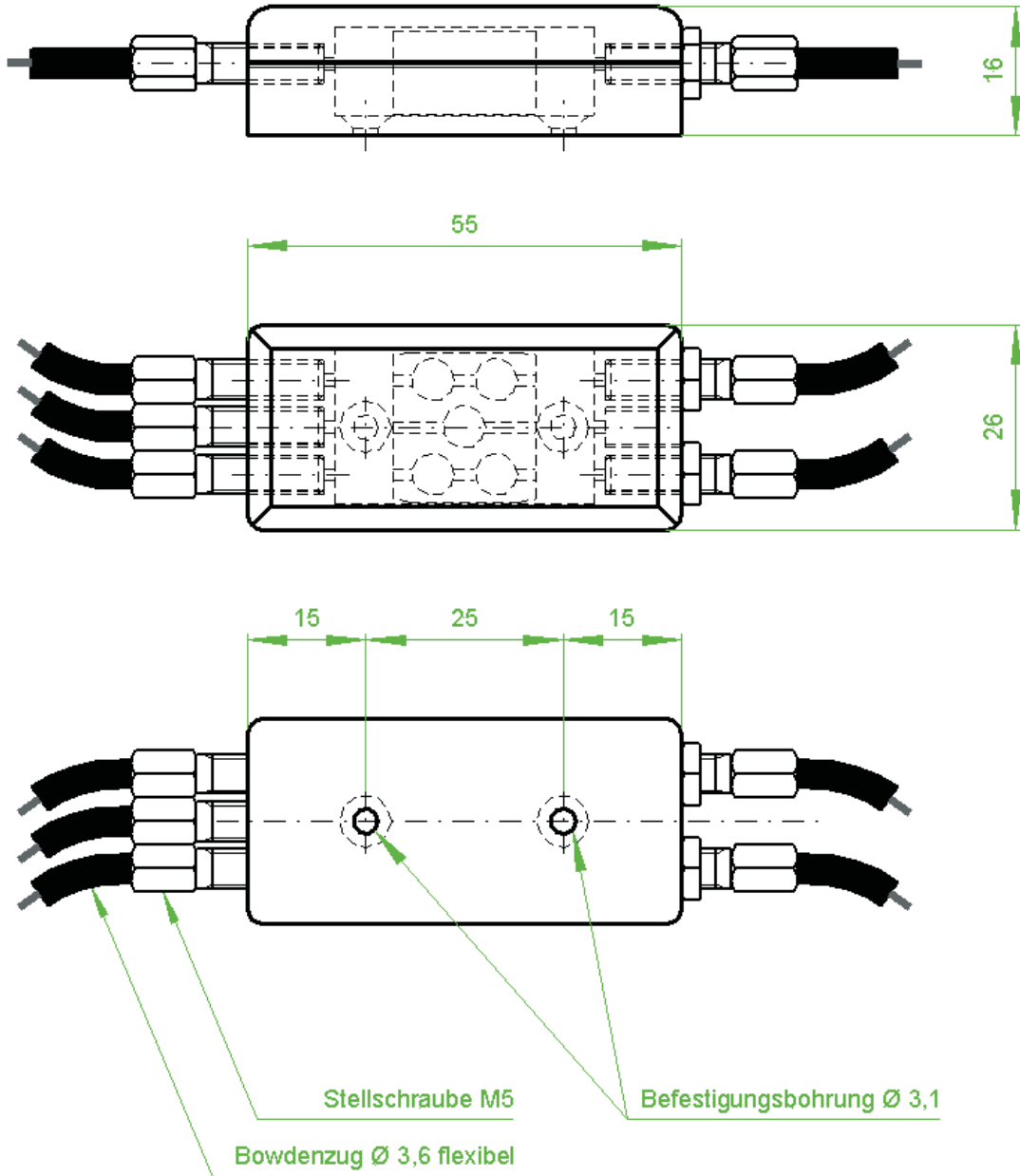
dimensions in mm / we reserve the right to make modifications

MOUNTING DIMENSIONS BZW-552616-2E2A



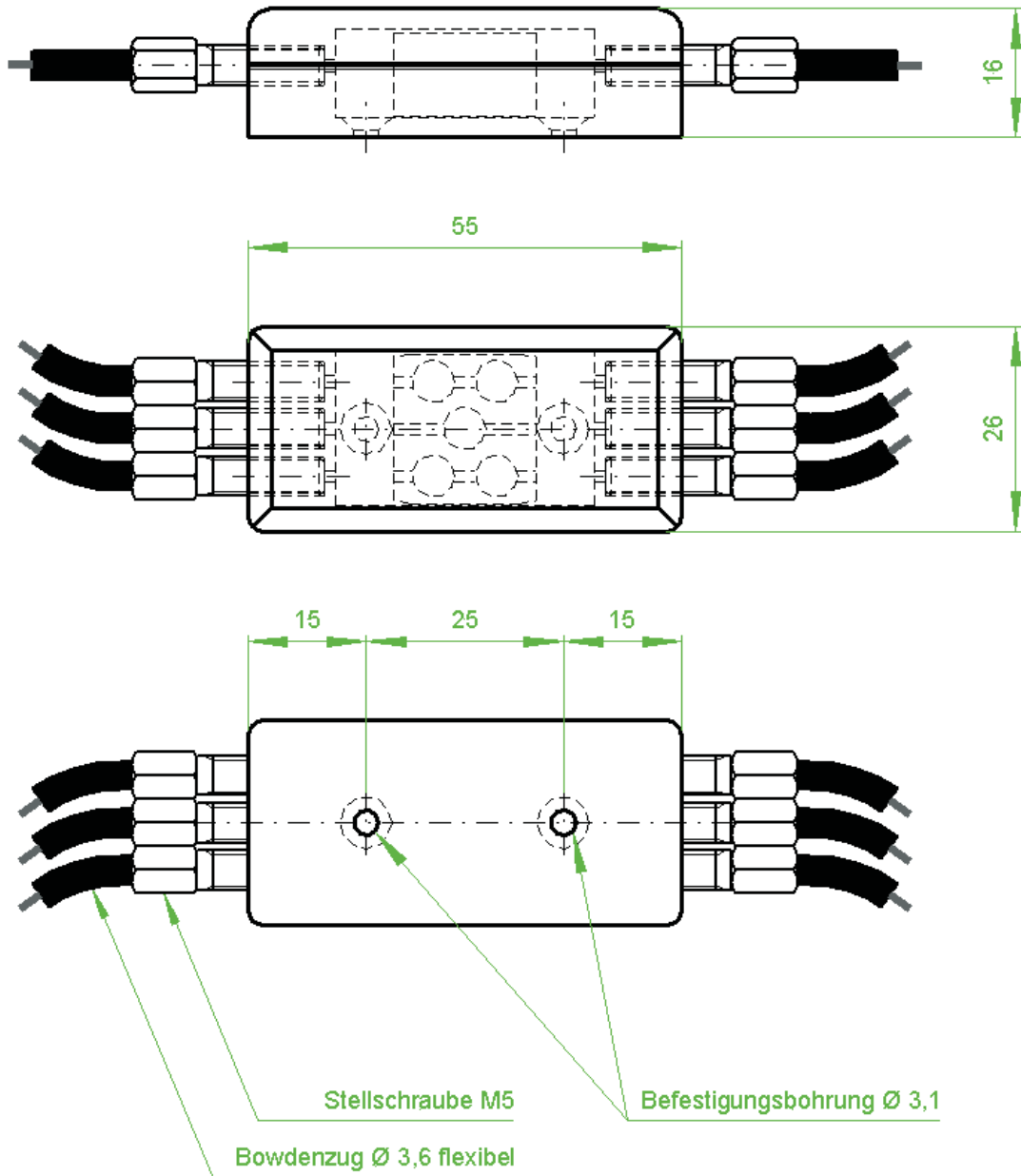
dimensions in mm / we reserve the right to make modifications

MOUNTING DIMENSIONS BZW-552616-2E3A



dimensions in mm / we reserve the right to make modifications

MOUNTING DIMENSIONS BZW-552616-3E3A



dimensions in mm / we reserve the right to make modifications

OPERATING LEVERS

dimensions	: see page 102
material	: articulated element: zinc die-casting lever: plastic
colour	: articulated element: black lever: black
maximum wire-ø	: 1,8 mm
max. cable force on lever	: 50 N
transmission	: 1:2,88

order description: BET-HEB1-KURZ

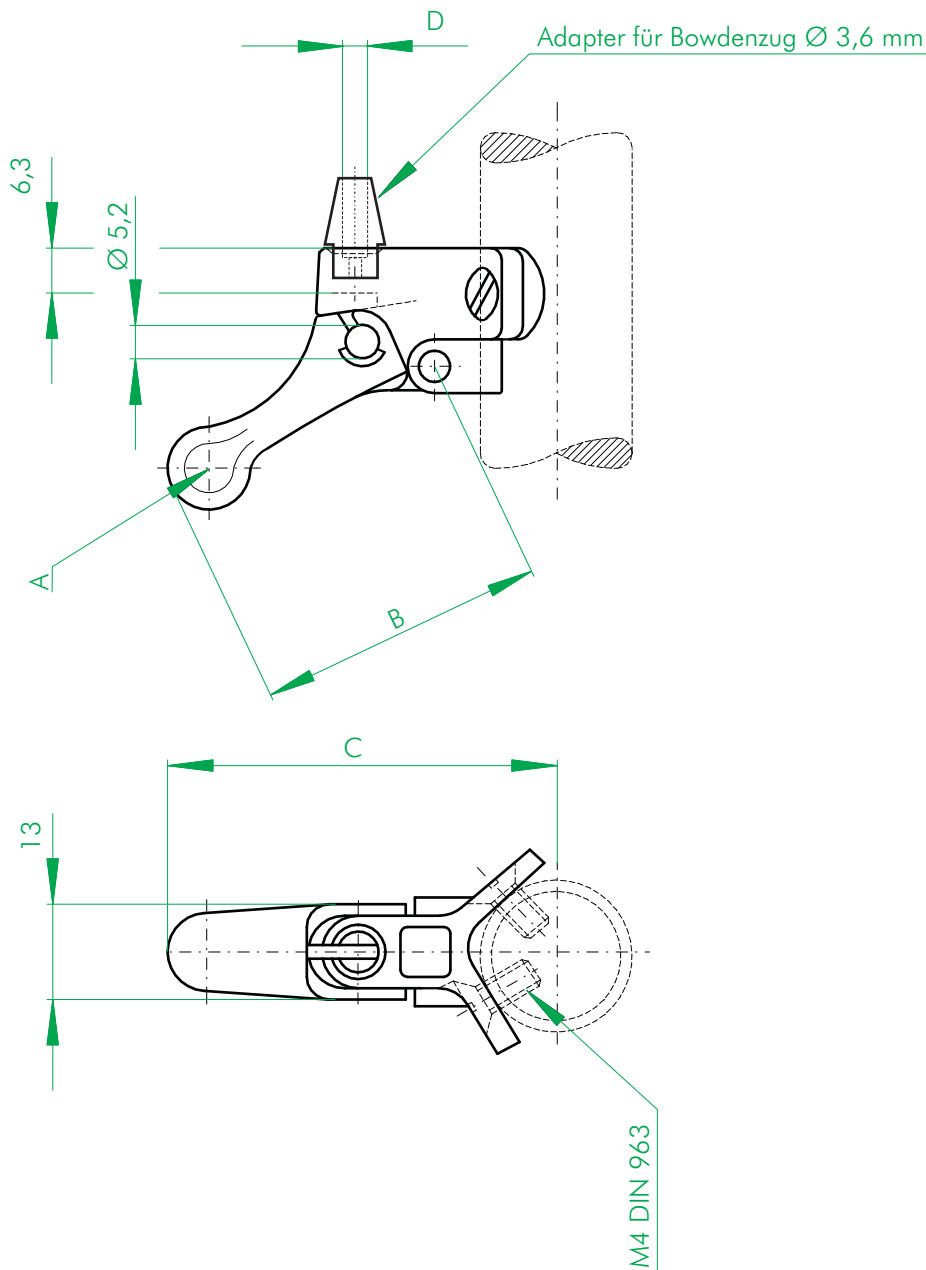


dimensions	: see page 103
material	: articulated element: zinc die-casting lever: plastic
colour	: articulated element: black lever: black
maximum wire-ø	: 2 mm
max. cable force on lever	: 100 N
transmission	: 1:4

order description: BET-HEB-LG-SCH



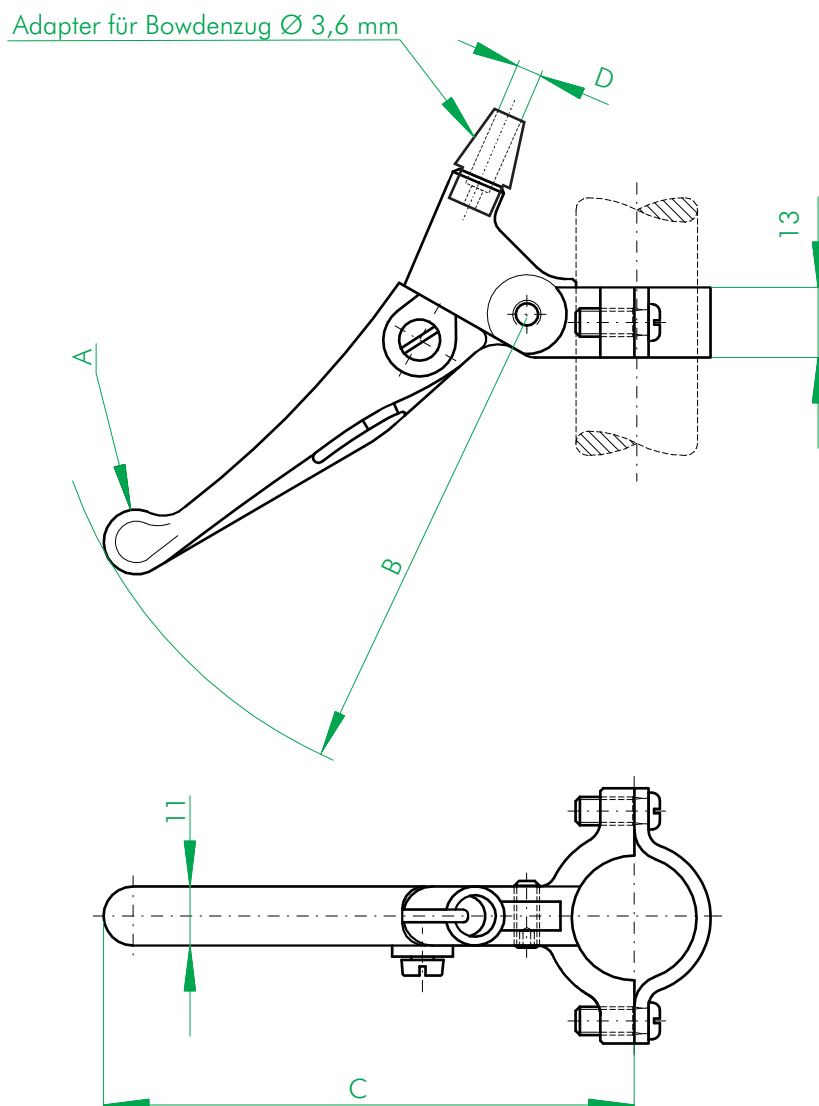
MOUNTING DIMENSIONS BET-HEB 1-KURZ



			A	B	C	D
Hub	Übersetzungs- verhältnis I	maximale Seilzugkraft N	Werkstoff Hebel	Hebellänge	Hebelhöhe	Anschluss-Ø
24	1:2,88	50	Kunststoff	43	58	3,6

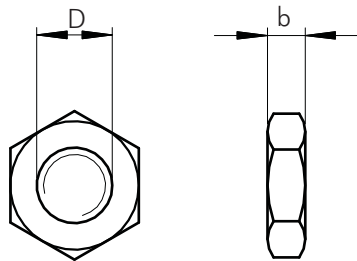
dimensions in mm / we reserve the right to make modifications

MOUNTING DIMENSIONS BET-HEB-LG-SCH



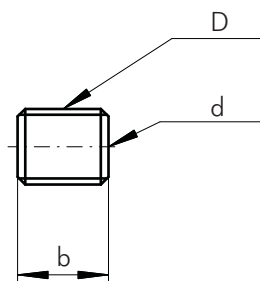
			A	B	C	D
Hub	Übersetzungs- verhältnis I	maximale Seilzugkraft N	Werkstoff Hebel	Hebellänge	Hebelhöhe	Anschluss-Ø
17	1:4	100	Kunststoff	86	94	3,6

dimensions in mm / we reserve the right to make modifications



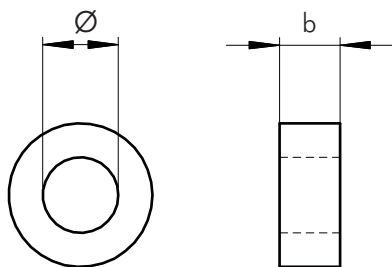
Screw Nuts

thread D	b	order-no.
M8x1	5	MU-08
M10x1	6	MU-10



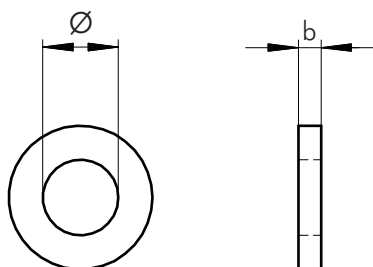
Reduce Socket

thread D/d	b	order-no.
M10x1 / M8x1	12	RED-M10M8



Rubber Bumper

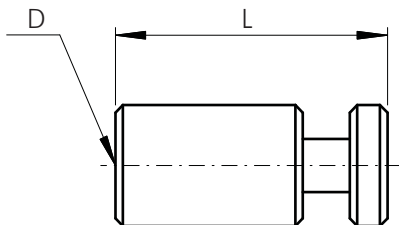
Ø	b	order-no.
8	8	GUPU-88
10	4	GUPU-104
	8	GUPU-108



Washer

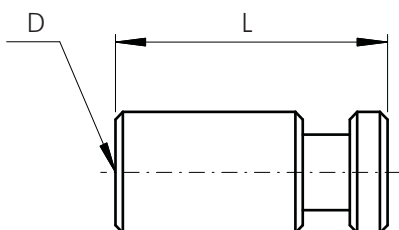
Ø	b	order-no.
8	3	SCHEI-83
10	3	SCHEI-103

dimensions in mm / we reserve the right to make modifications



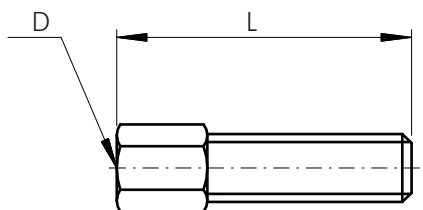
Plastic Coupling for ULA*

D	L	Order-No.
Ø 3,6	20	KUHU-ULA-36
M5	20	KUHU-ULA-M5
Ø 4,9	20	KUHU-ULA-49



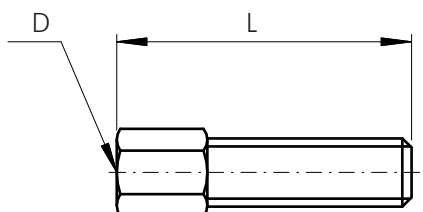
Plastic Coupling for LA**

D	L	Order-No.
Ø 4,8	20	KUHU-LA-48
M6	20	KUHU-LA-M6
Ø 3,6	20	KUHU-LA-36



Adjustable Screw M5

D	L	Order-No.
Ø 3,6	24	STELL-ULA-36



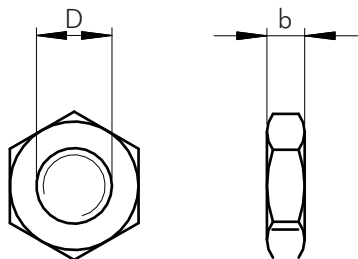
Adjustable Screw M6

D	L	Order-No.
Ø 4,8	24	STELL-LA-48

dimensions in mm / we reserve the right to make modifications

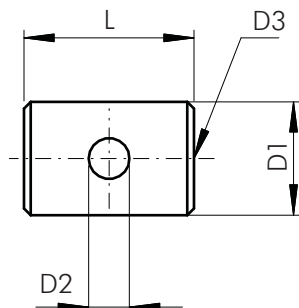
* Ultra-Light Release Head

** Light Release Head



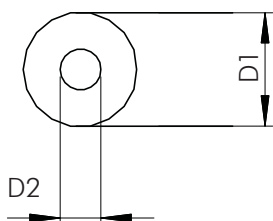
Screw Nut for adjustable Screw

thread D	b	order-no.
M5	2,7	MU-05
M6	3,2	MU-05



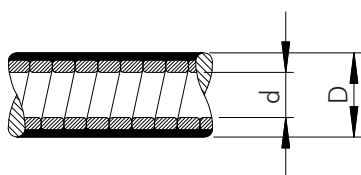
Screw Nipple

D1	D2	D3	L	order-no.
5	1,8	M3,5	7,5	S-NIP-5-75



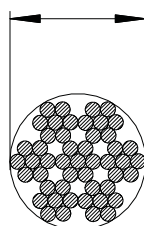
Ball Press Nipple

D1	D2	order-no.
5	1,2	K-PN-5-1,2



Flat Section Casing

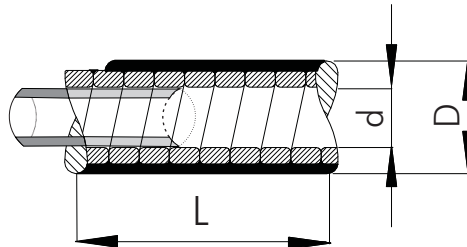
D	d	order no.
Ø 3,6	Ø 1,5	BO-HUE-3615
Ø 3,8	Ø 2,0	BO-HUE-3820
Ø 4,7	Ø 2,7	BO-HUE-4727



Wire

Ø	material	order no.
0,7	nirosta	SEIL-07
0,9	nirosta	SEIL-09
1,0	steel galvanized	SEIL-10

dimensions in mm / we reserve the right to make modifications

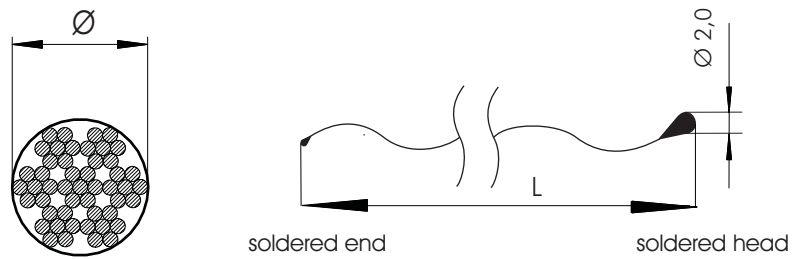


Flat Section Casing

D	d	description	order-no.
3,6	1,5	Flat section casing with POM inner tube standard lengths (L): 250 500 750 1000 1250 1500	BO-HUE-3615-0250 BO-HUE-3615-0500 BO-HUE-3615-0750 BO-HUE-3615-1000 BO-HUE-3615-1250 BO-HUE-3615-1500
3,6	1,5	yard goods (without POM inner tube)	BO-HUE-3615
3,8	2,0	yard goods (without POM inner tube)	BO-HUE-3820
4,7	2,7	yard goods (without POM inner tube)	BO-HUE-4727
		flat section casing with POM inner tube length as requested	BO-HUE-4727-POM + length of flat section casing

dimensions in mm / we reserve the right to make modifications

ACCESSORIES BOWDEN WIRE

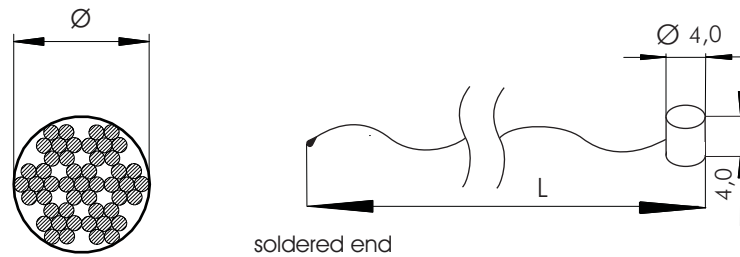


Wire

Ø	material	description	order-no.
0,9	nirosta (7 x 7)	yard goods	SEIL-09
		standard lengths (L):	
		320	SEIL-09-0250
		570	SEIL-09-0500
		820	SEIL-09-0750
		1070	SEIL-09-1000
		1320	SEIL-09-1250
		1570	SEIL-09-1500
		2070	SEIL-09-2000

dimensions in mm / we reserve the right to make modifications

ACCESSORIES BOWDEN WIRE

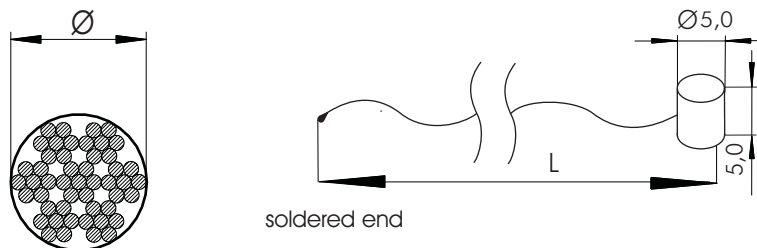


Wire

Ø	material	description	order-no.
0,7	Nirosta (7 x 7) press nipple Ø 4 x 4	wire with press nipple standard lengths (L): 320 570 820 1070 1320 1570	SEIL-07-0250 SEIL-07-0500 SEIL-07-0750 SEIL-07-1000 SEIL-07-1250 SEIL-07-1500

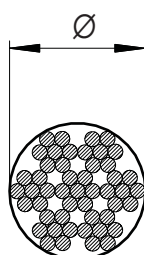
dimensions in mm / we reserve the right to make modifications

ACCESSORIES BOWDEN WIRE



Wire

Ø	material	description	order-no.
0,9	nirosta (7 x 7) press nipple Ø 5 x 5	wire with press nipple standard lengths (L):	
		320	SEIL-09-PN-0250
		570	SEIL-09-PN-0500
		820	SEIL-09-PN-0750
		1070	SEIL-09-PN-1000
		1320	SEIL-09-PN-1250
		1570	SEIL-09-PN-1500



Wire

Ø	material	description	order-no.
1,0	steel galvanized	yard goods	SEIL-10

dimensions in mm / we reserve the right to make modifications

COLOURS OF CASING BY RAL

colour	order code	flat pushbutton	external pushbutton	built-in pushbutton	remote release system	key block
black	9005	X	X	X	X	X
natural	9006		X	X		
white	9003	X			X	X
red	3001	X				X
brown	8017	X				X
grey	7004	X				X
beige	9010	X				X

more colours on request

COLOURS OF PUSHBUTTON BY RAL

colour	order code	flat pushbutton	external pushbutton	built-in pushbutton	remote release system	key block
black	9005	X	X	X	X	X
white	9003	X	X	X	X	X
red	3001	X	X	X	X	X
silver	MCSV	X				
grey	7004	X				X
brown	8017	X				X
yellow	1016	X				X
blue	5005	X				X
green	6001	X				X
beige	9010	X				X
blue	5022	X				

more colours on request

PRICE INQUIRY

Fax-Number +49 (0) 7263 40971-29

Company:

Mrs./Mr.: Phone-No.:

Street: Fax-No.:

Postcode/City: Email:

Country: Internet:

	order description	colour of casing	colour of pushbutton	length of bowden wire	annual requirement
e.g. EBT-392924F	9006	9005	0500	1500	

Date: Signature:

ORDER

Fax-Number +49 (0) 7263 40971-29

Company:
 Mrs./Mr.: Phone-No.:
 Street: Fax-No.:
 Postcode/City: Email:
 Country: Internet:

	order description	colour of casing	colour of pushbutton	length of bowden wire	annual requirement	retrieval lot size
e.g. EBT-392924F	9006	9005	0500	1500	250	

Date: Signature: